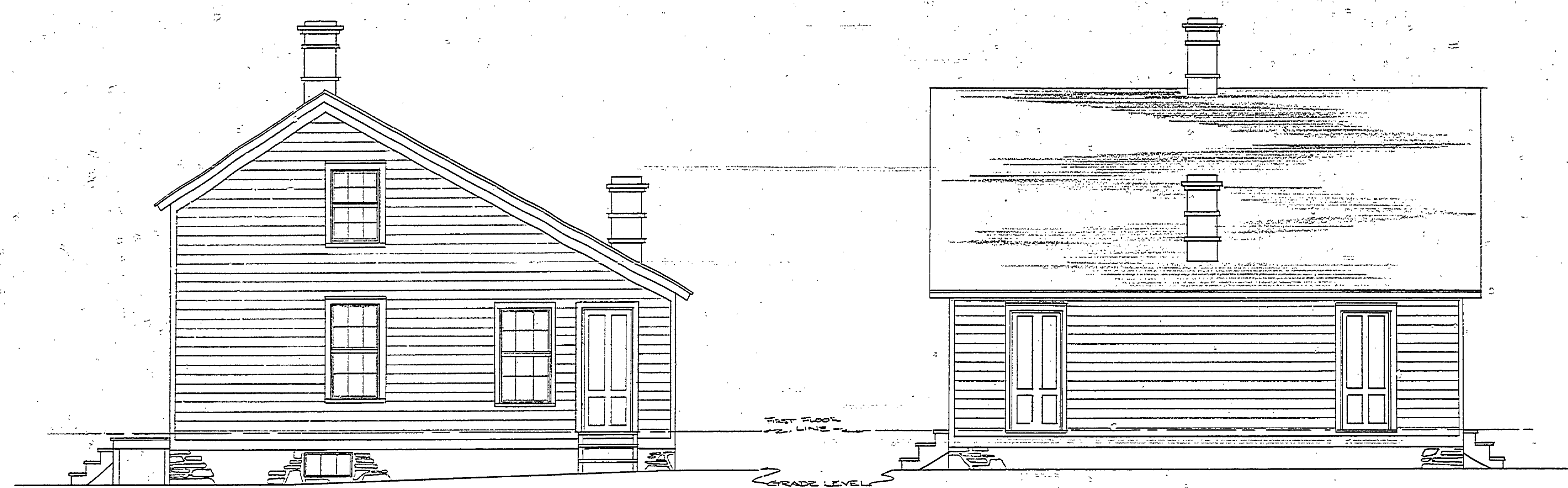
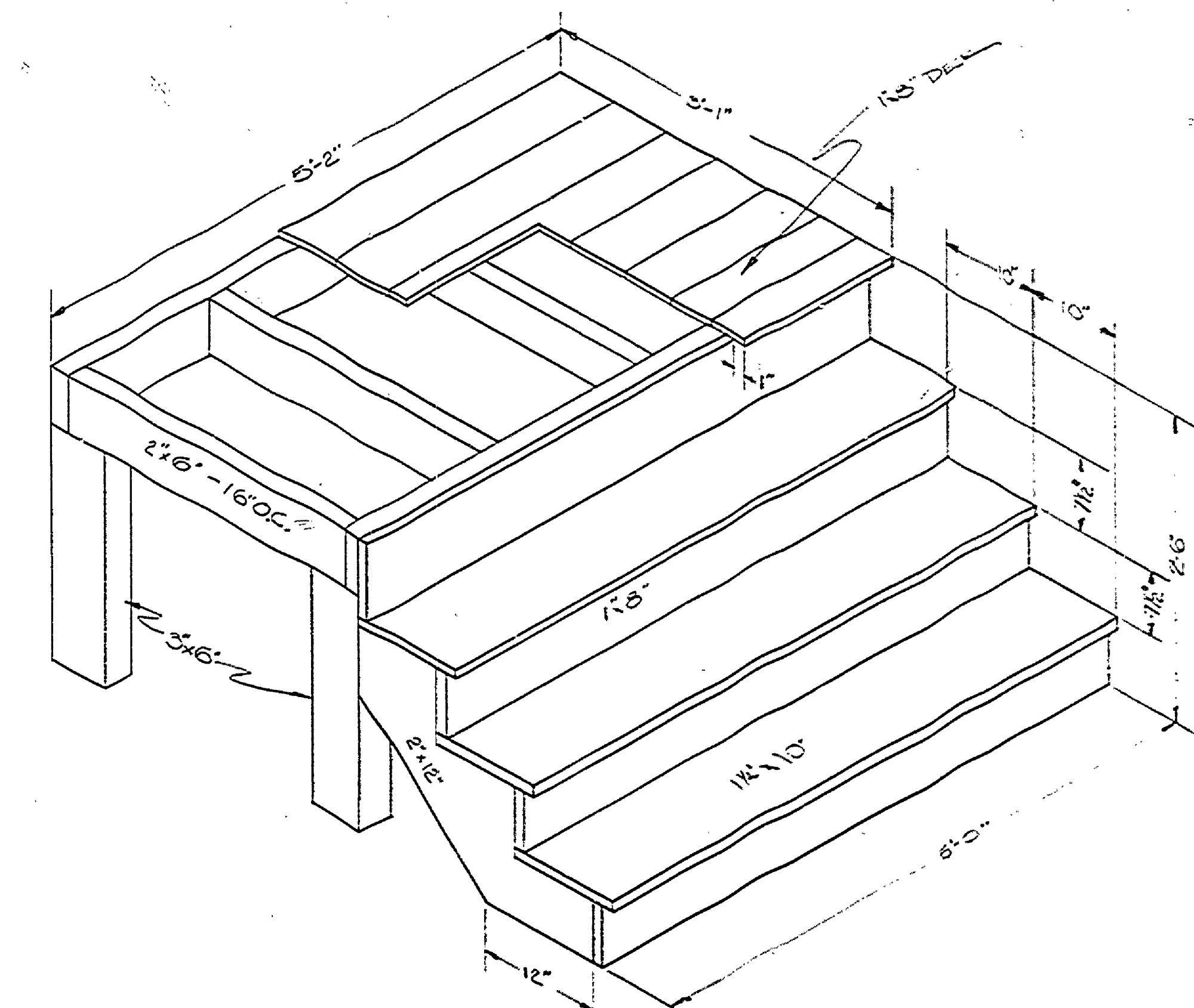


DATE	REVIEWED	DATE	APPROVED	DATE	NO.	DATE	BY	REVISIONS	DATE	BY
4/12/00	ARCHITECTURAL				1			4		
4/25/00	ENGINEERING				2			5		
	LANDSCAPE				3			6		

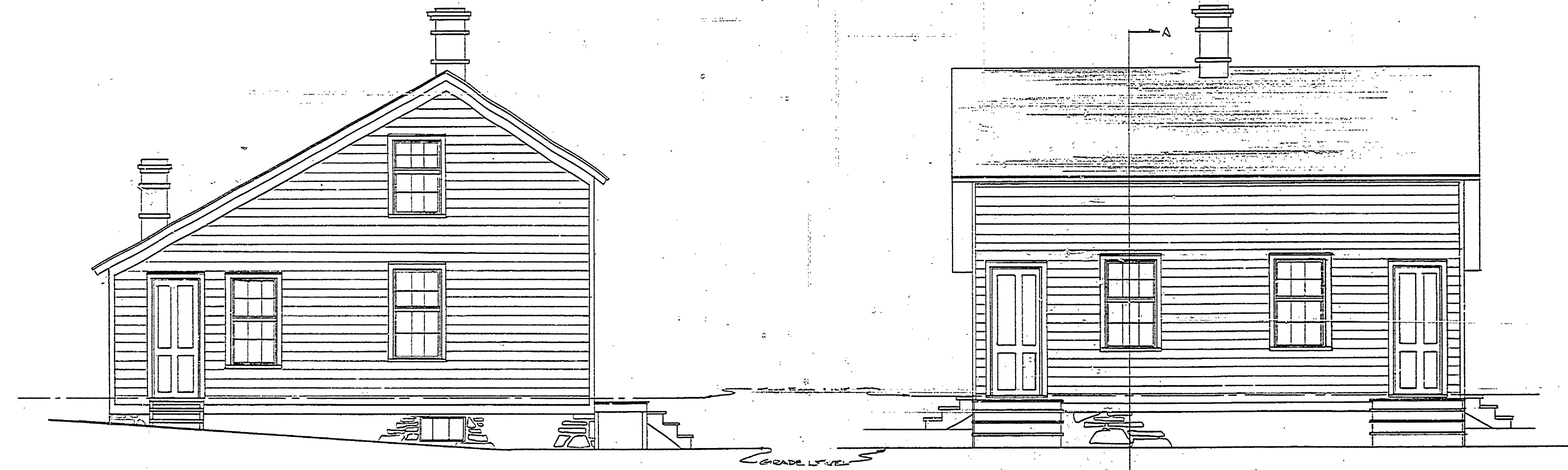


SOUTH ELEVATION

EAST ELEVATION



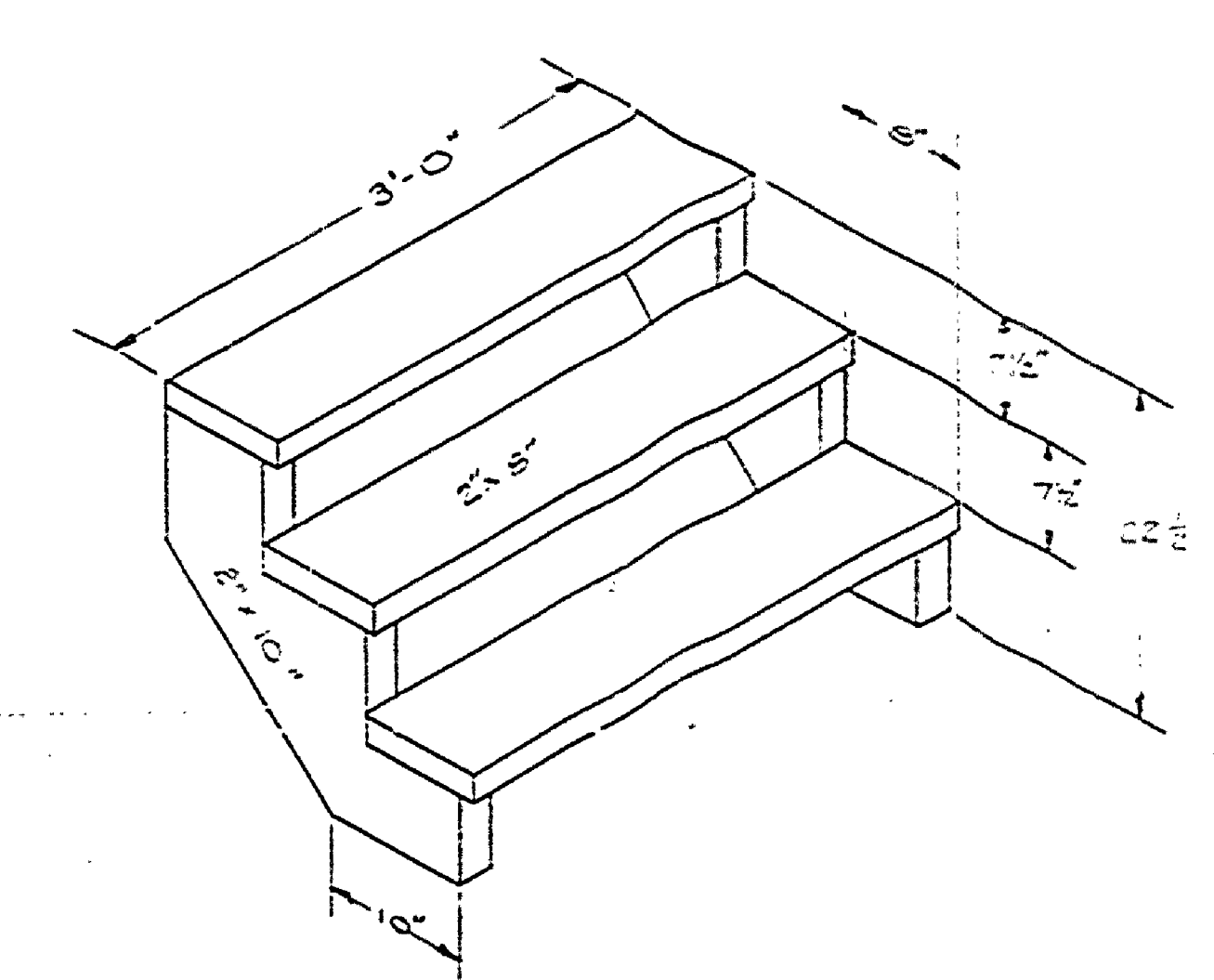
ISOMETRIC DETAIL OF FRONT PORCH & STEPS - 2 REQ'D
SCALE 1"=1'-0"



NORTH ELEVATION

WEST ELEVATION

SCALE 1/4"=1'-0"



DETAIL OF SIDE STEPS
SCALE 1"=1'-0"

IDENTICAL BUILDINGS
20421 AND # 22125
30M. DOUBLE OCCUPANCY