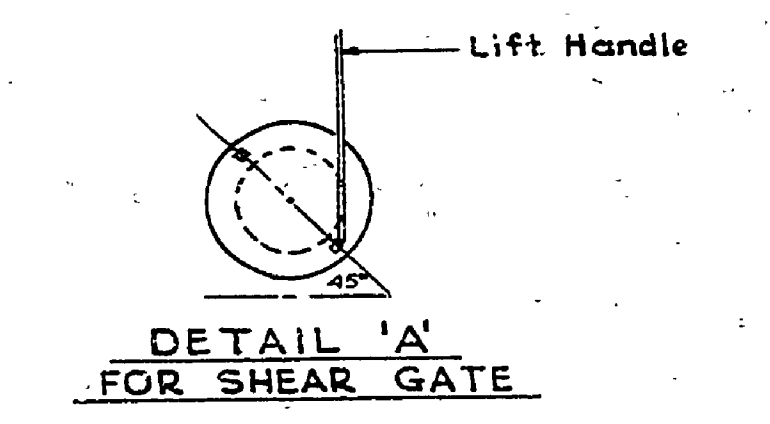
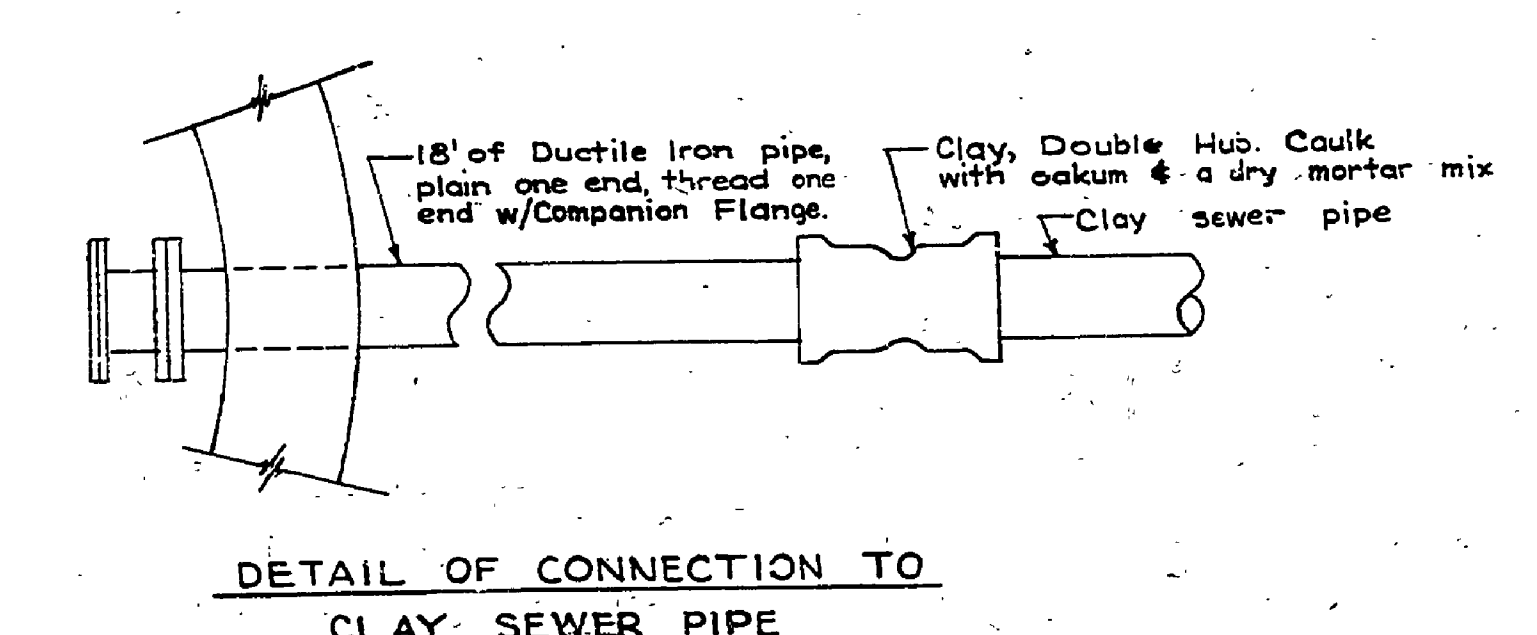
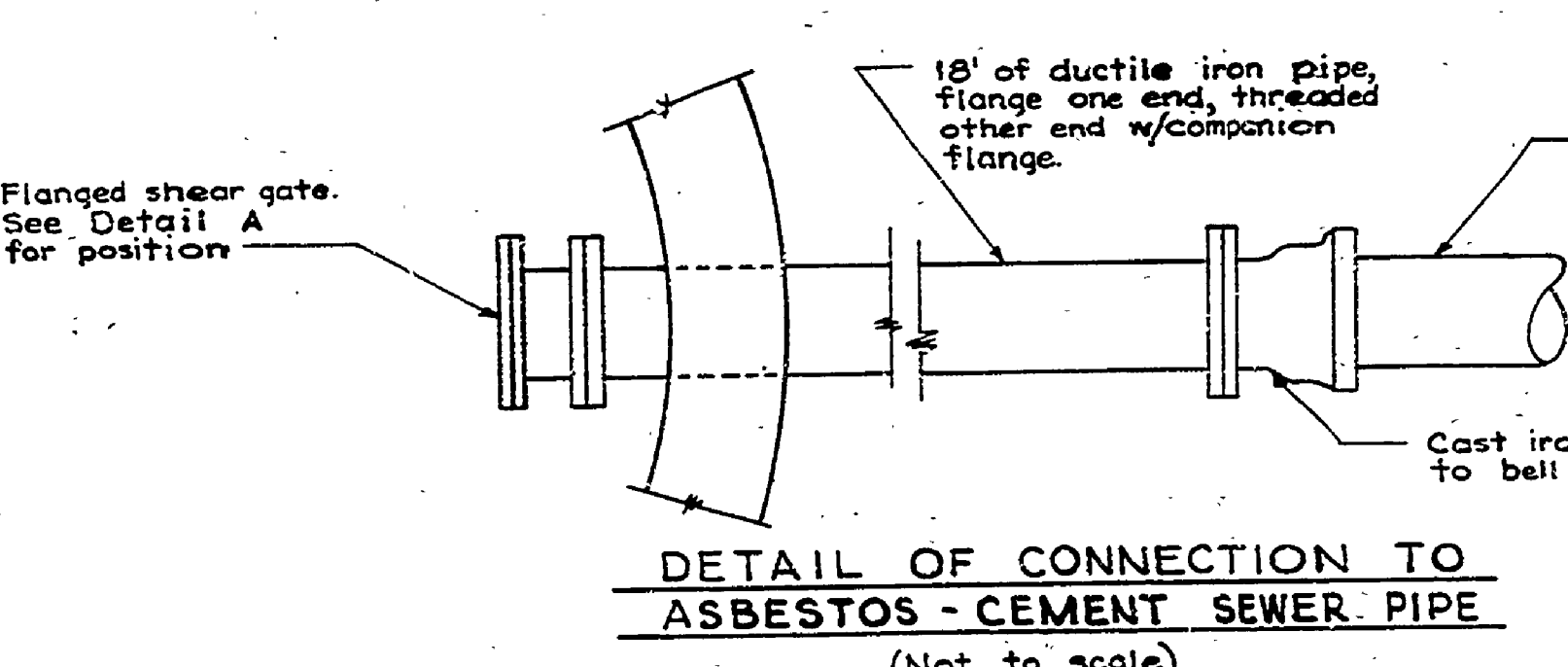
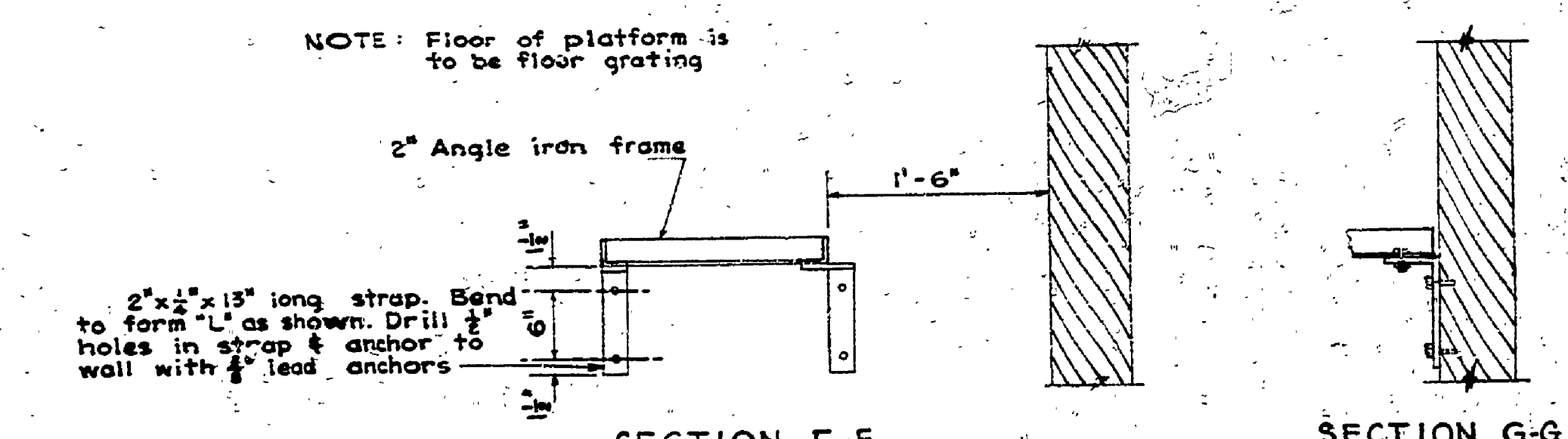
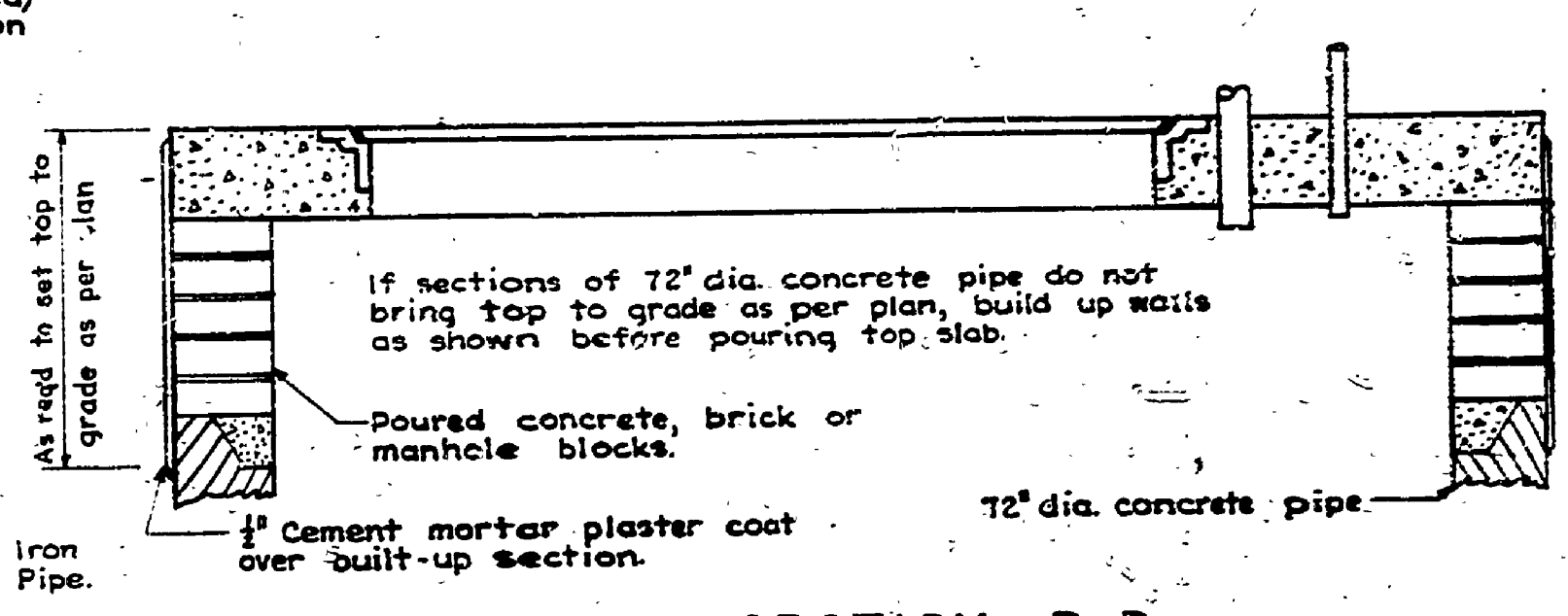
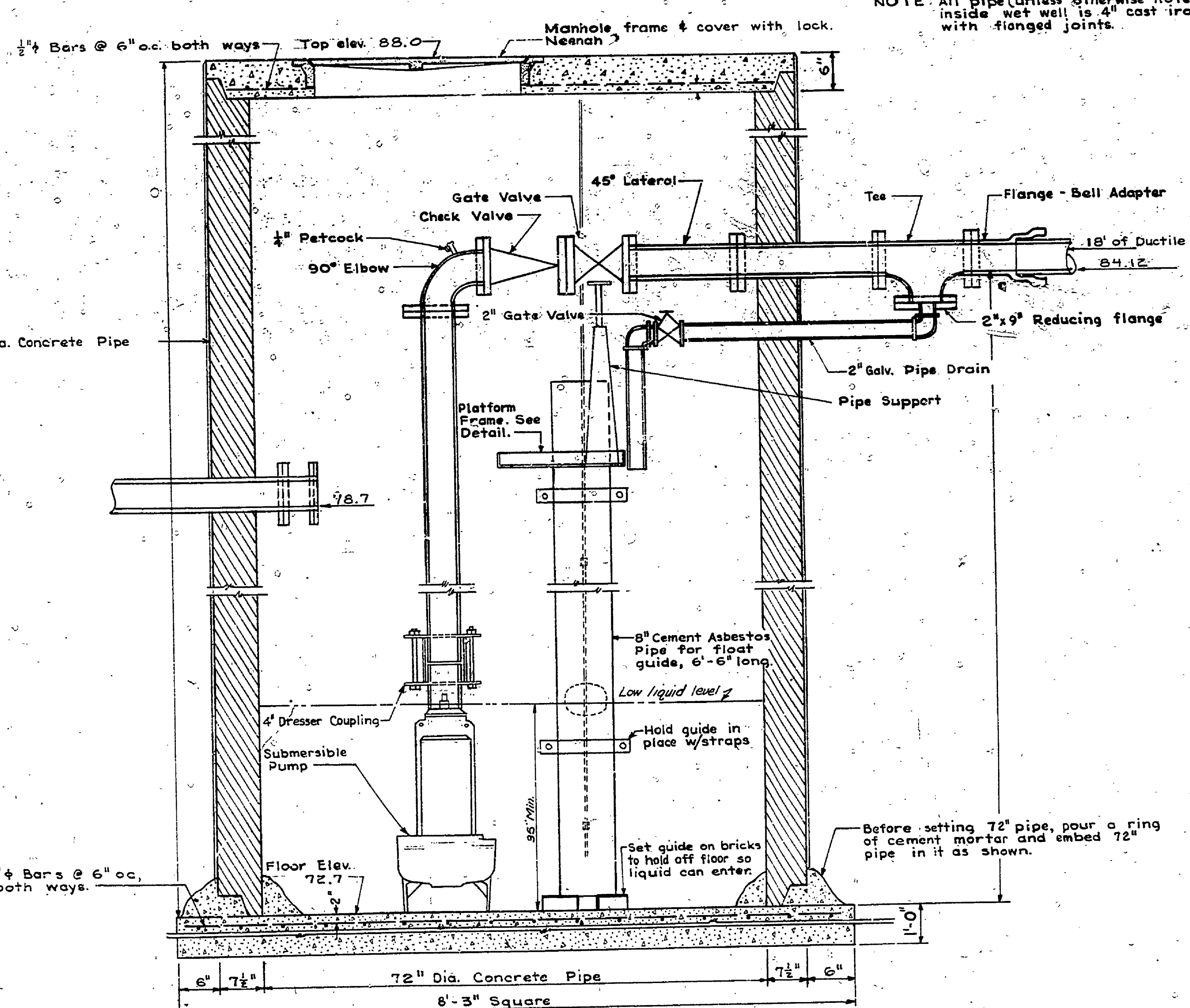
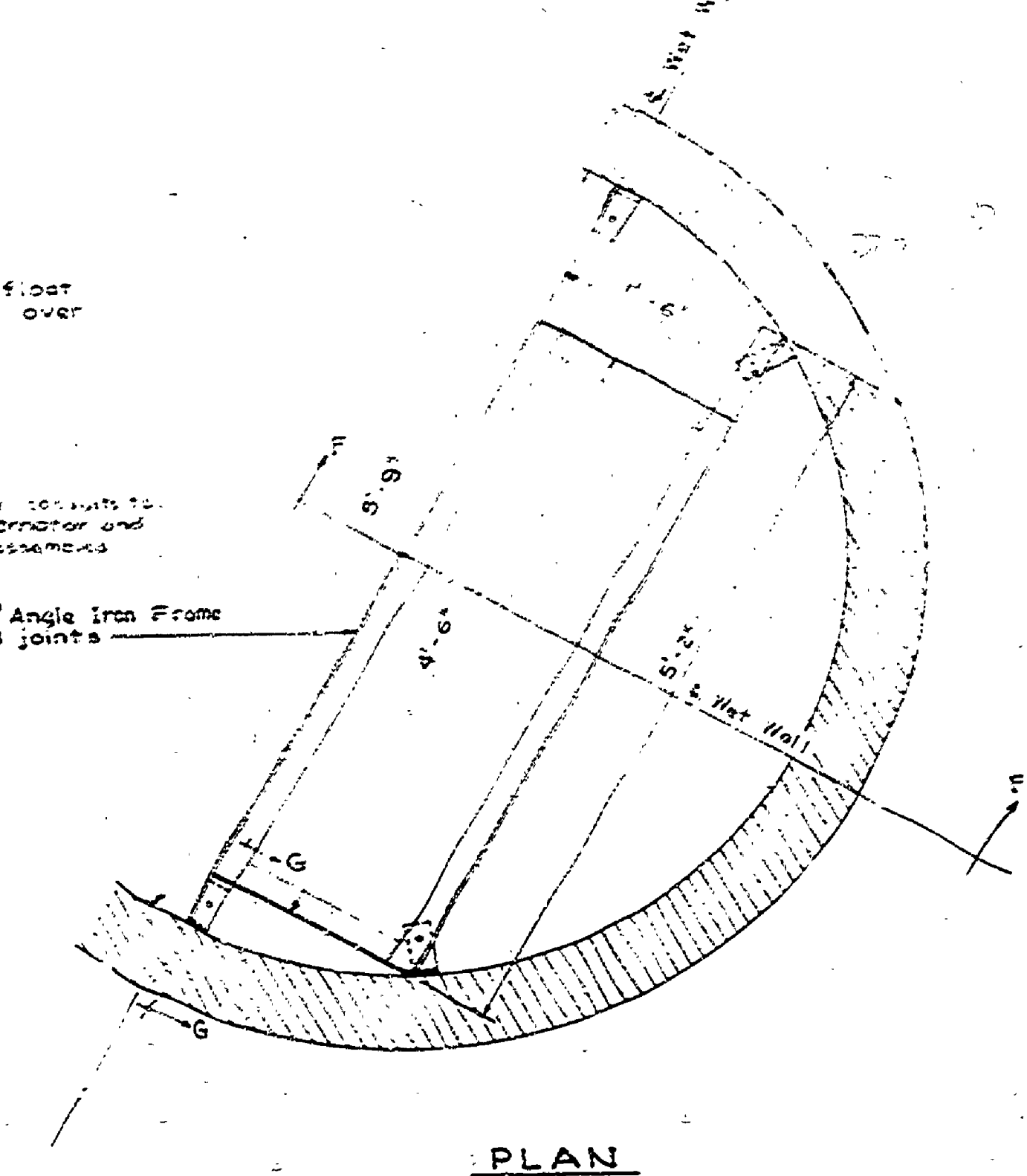
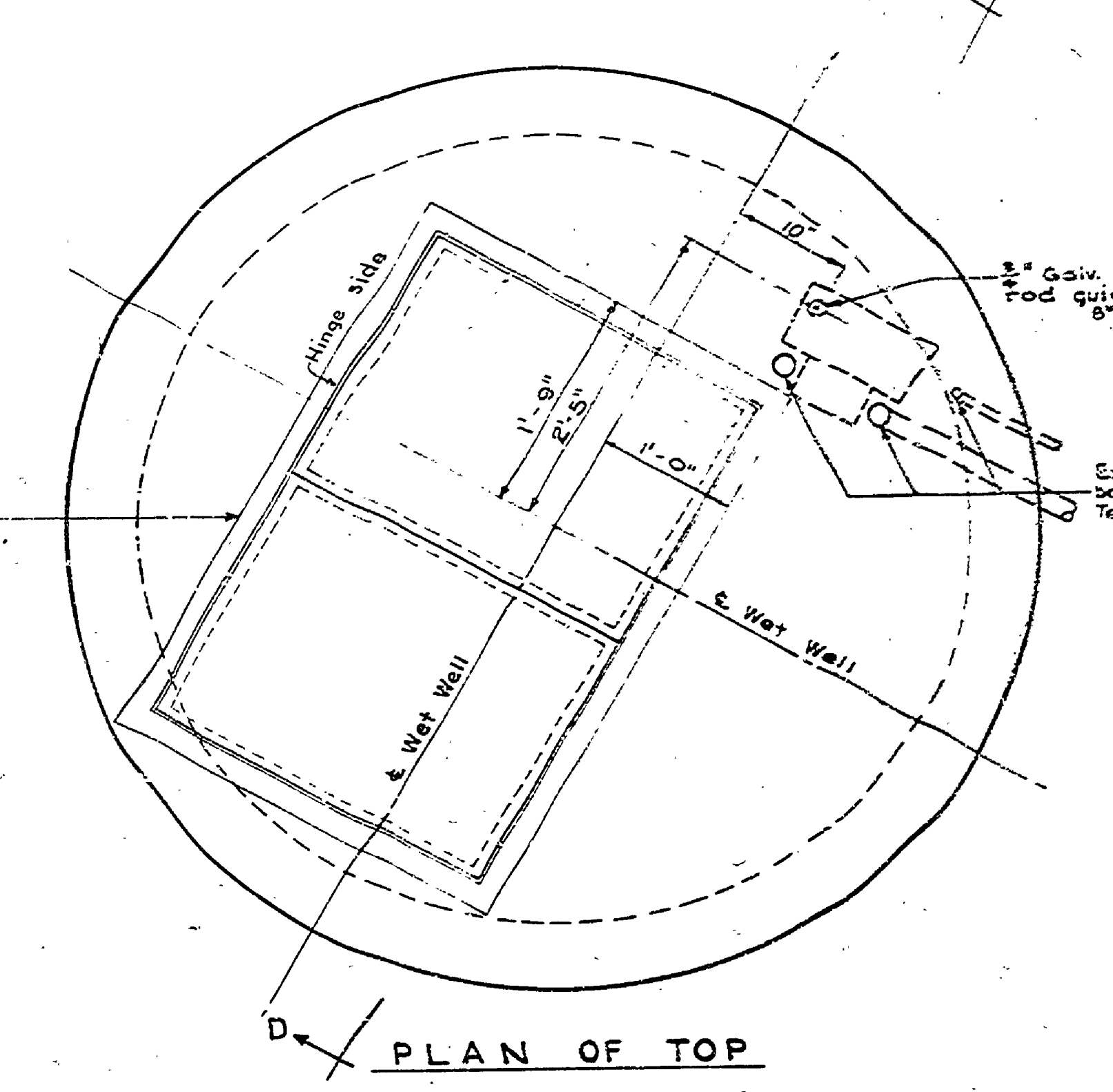
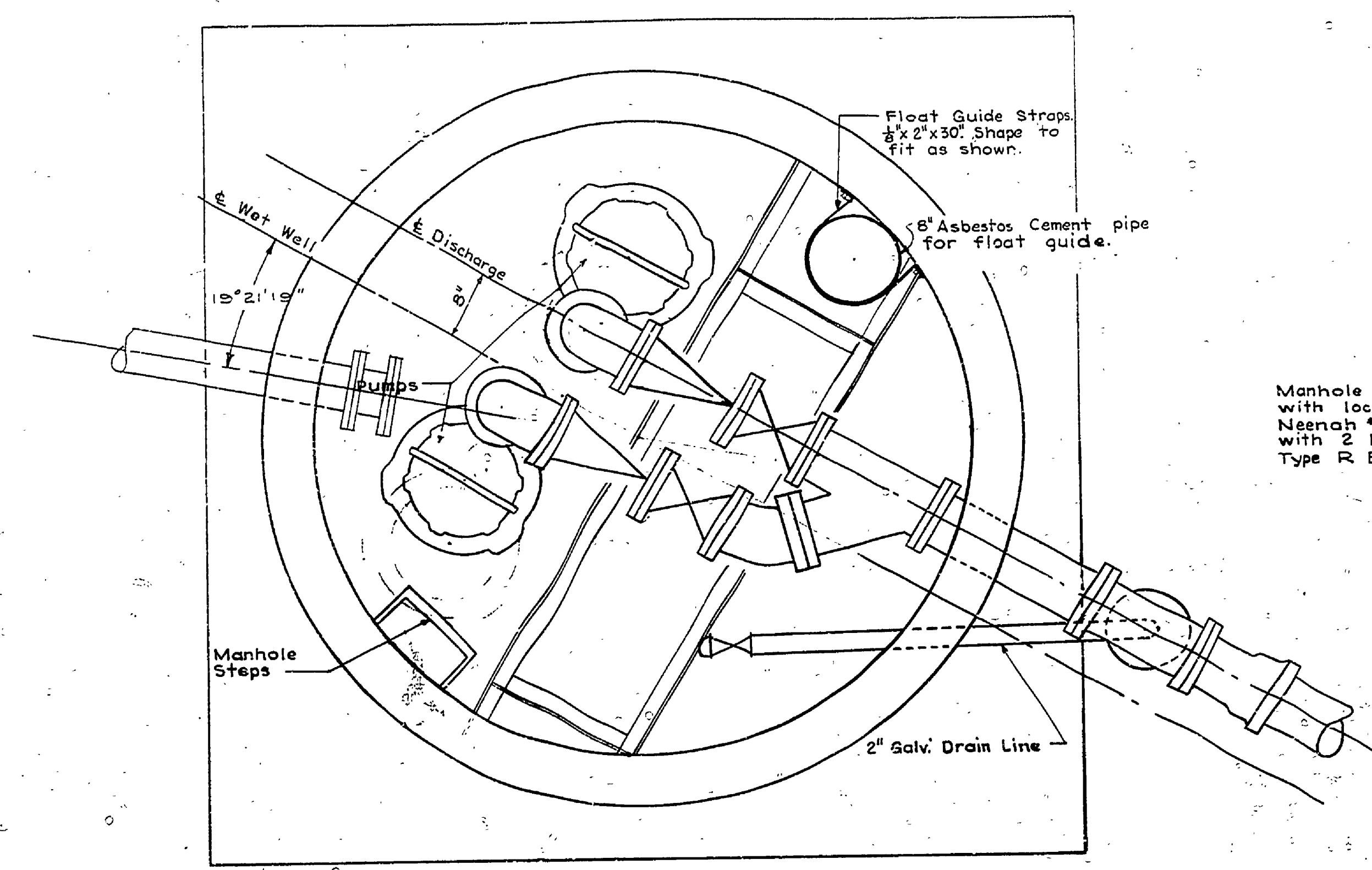


DATE	BY	REVISIONS
		4
		5
		6
NO.	DATE	BY
1	9/28/49	W.H.M. Engineer, Pooling Division
2		
3		
APPROVED BY	DATE	
REVIEWED BY SECTIONS	DATE	
ARCHITECTURAL		
ENGINEERING		
LANDSCAPE		
DRAWN BY	CHECKED BY	DATE



NOTE: All pipe (unless otherwise noted) inside wet well is 4" cast iron with flanged joints.

If sections of 72" dia. concrete pipe do not bring top to grade as per plan, build up walls as shown before pouring top slab.
Doured concrete, brick or manhole blocks.
1" Cement mortar plaster coat over built-up section.

NOTE: Floor of platform is to be floor grating

Before setting 72" pipe, pour a ring of cement mortar and embed 72" pipe in it as shown.

WET WELL AND PUMP STATION

MICHIGAN DEPARTMENT OF CONSERVATION

NORTH HIGGINS LAKE STATE PARK

SHEET NO. 9 OF 10 PLAN NO. E-104

5E157