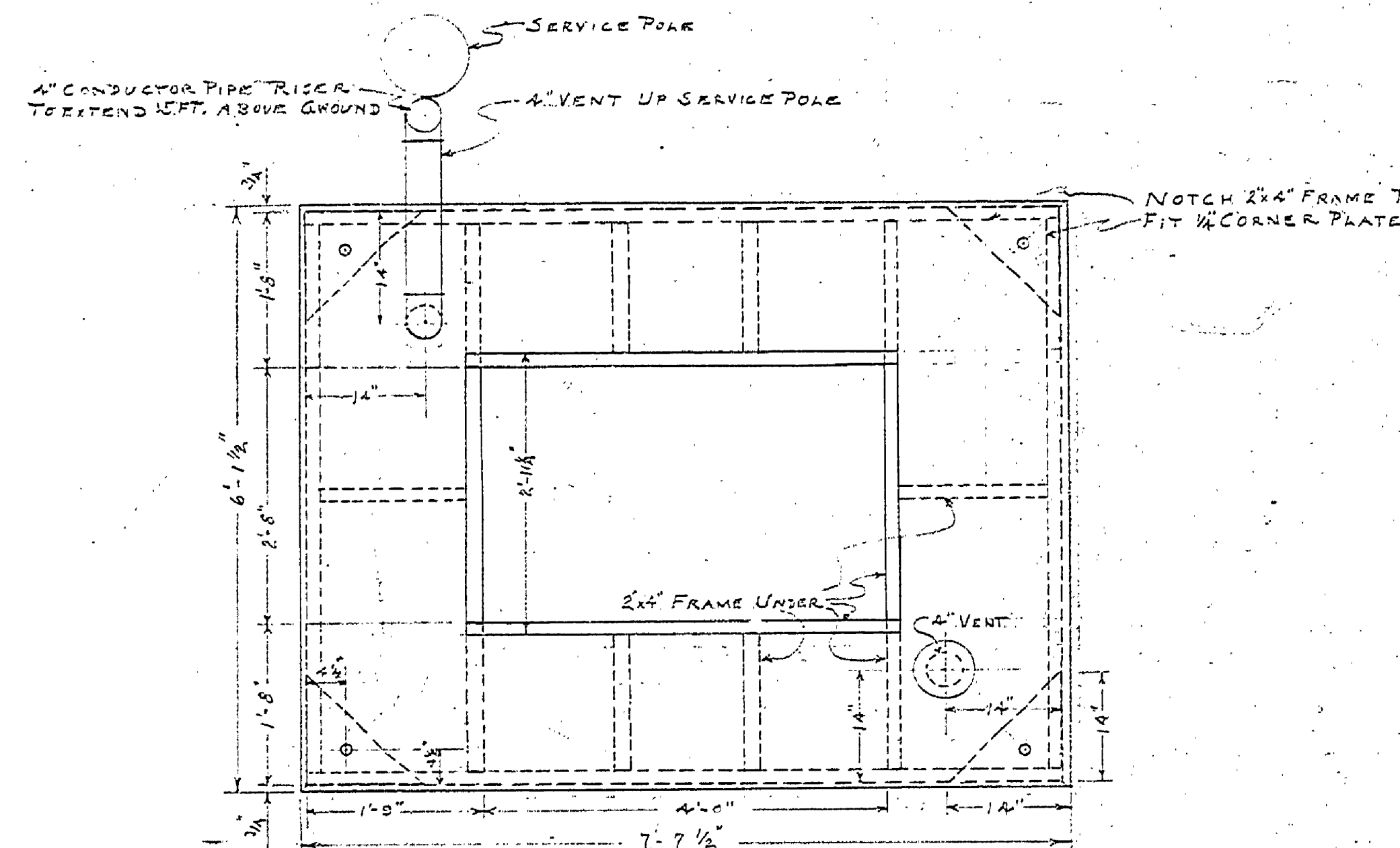
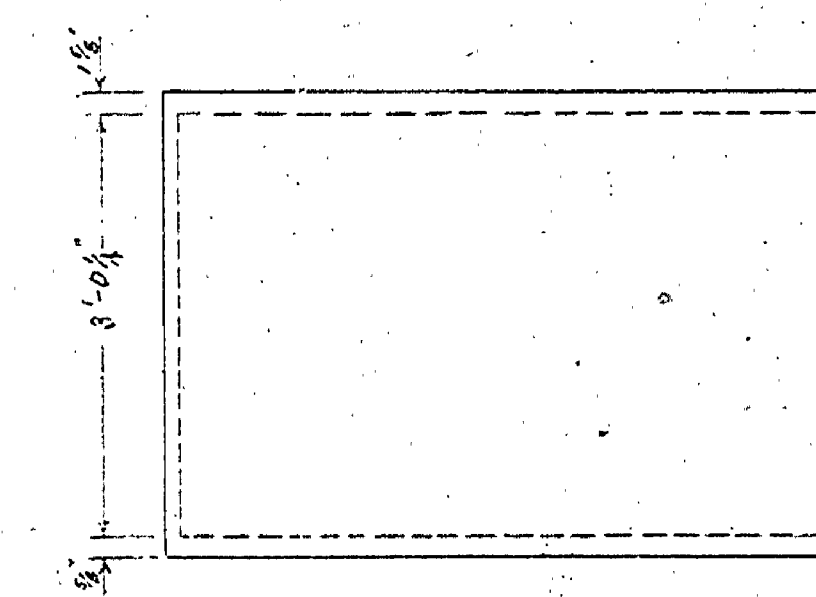


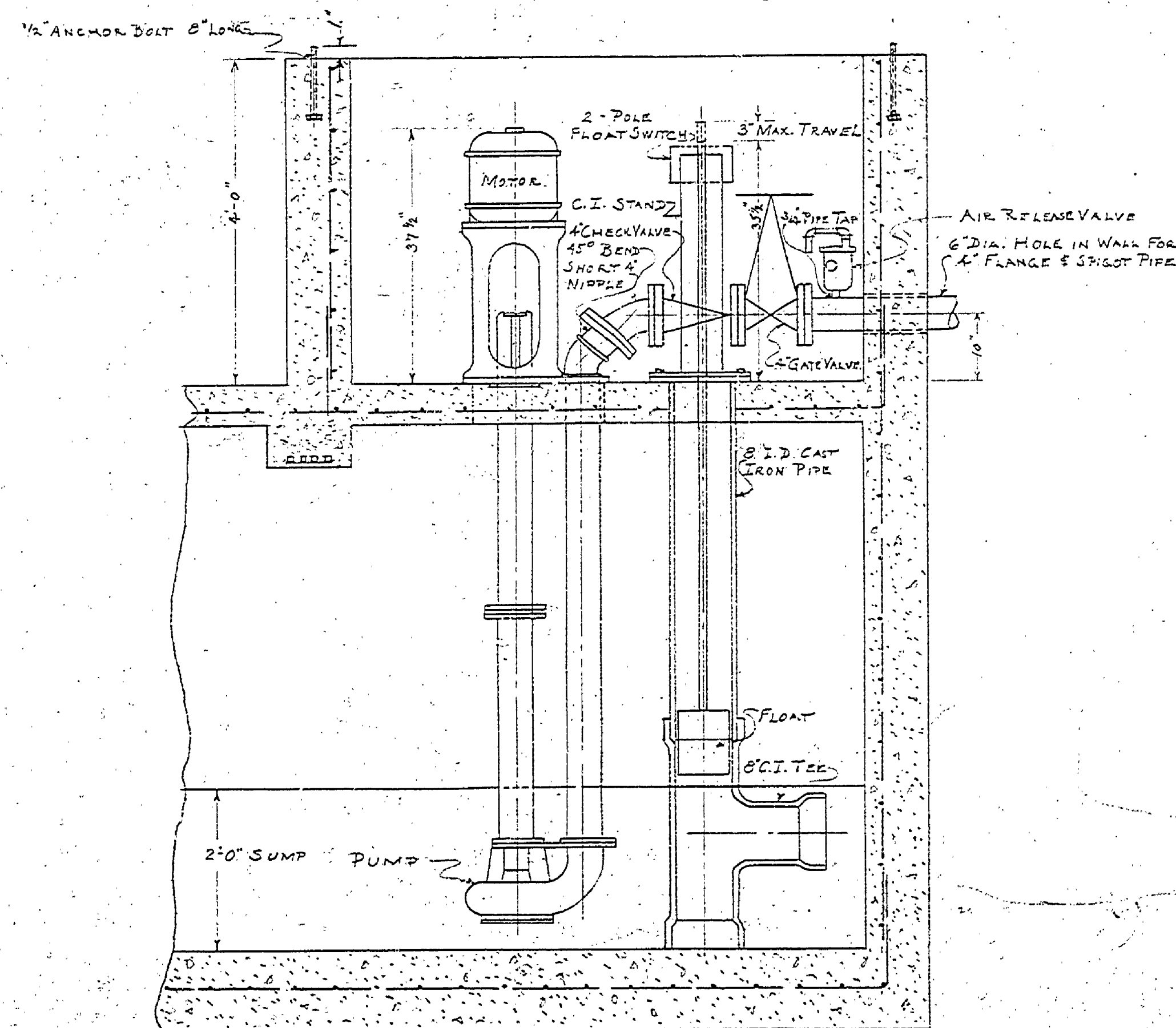
PLAN OF REVISED PUMP HOUSE & PIPING
SCALE 3/4" = 1'-0"



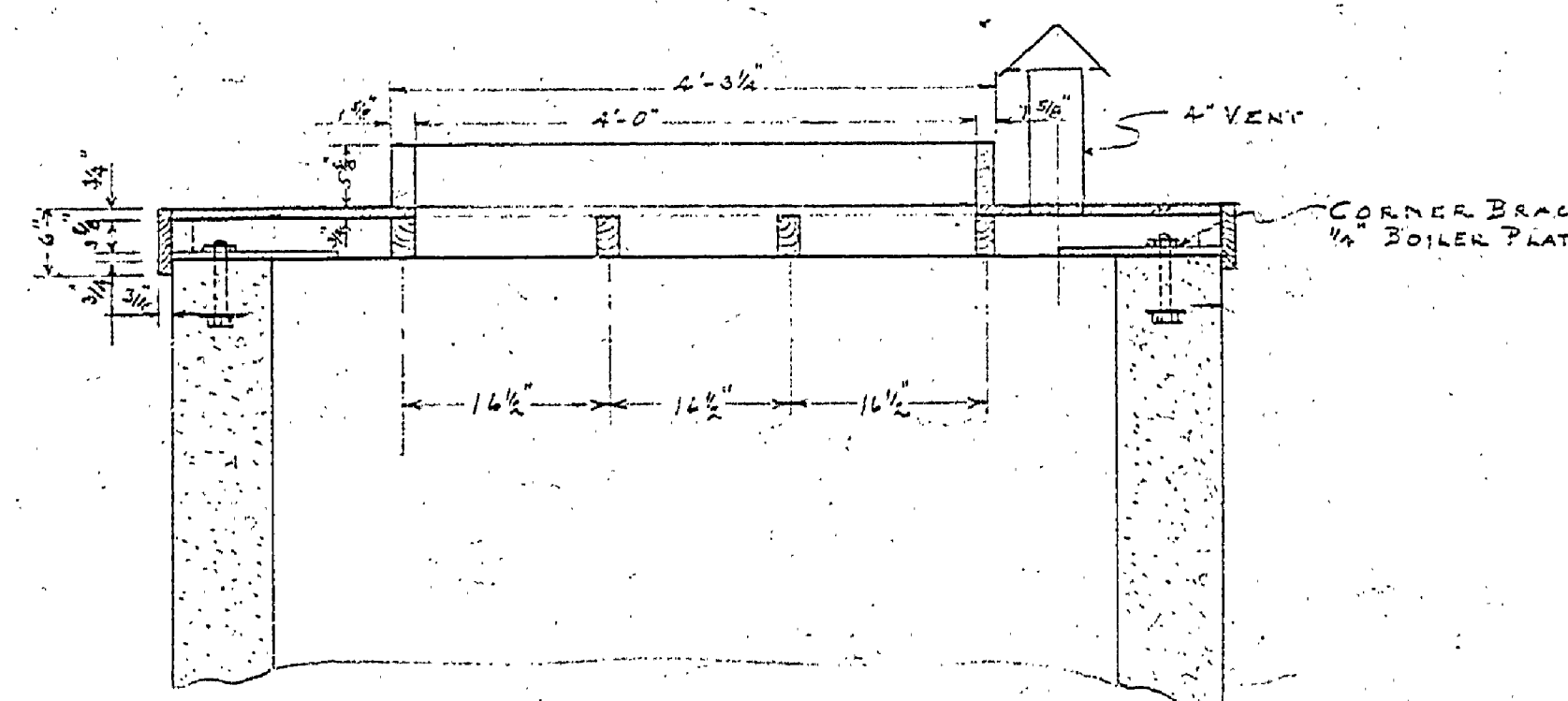
PLAN OF PUMP HOUSE COVER
SCALE 3/4" = 1'-0"



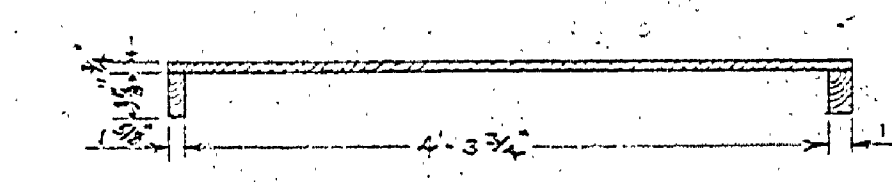
PLAN HATCH COVER
SCALE 3/4" = 1'-0"



SECTION A-A
SCALE 3/4" = 1'-0"

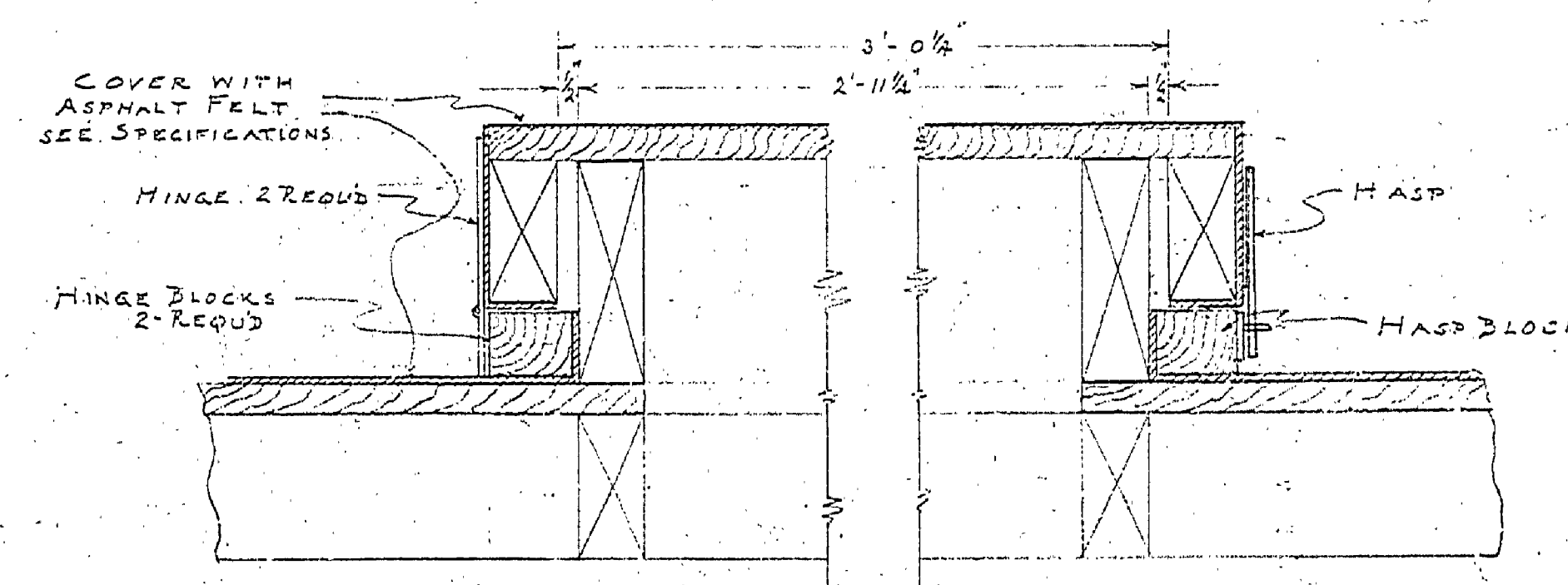


SECTION OF PUMP HOUSE COVER
SCALE 3/4" = 1'-0"



SECTION HATCH COVER
SCALE 3/4" = 1'-0"

NOTE: VENT AND VENT RISER PIPE TO BE 4\"/>



DETAIL OF PUMP HOUSE COVER & HATCH
SCALE 3" = 1'-0"

SPECIFICATIONS FOR LAYING ROOFING
1. MOD HATCH AND COVER WITH UNIFORM LAYER OF ASPHALT.
2. LAY ONE PLY OF 30 LB. ASPHALT FELT LAPPING SHEETS 3 INCHES AT EDGES, NAIL AT 6\"/>

MICHIGAN DEPARTMENT OF CONSERVATION STATE PARKS DIVISION		
DESIGNED BY H.C.M.E.E.P.P.	MITCHELL STATE PARK	PLANNED
DRAWN BY E.J.P.	REVISED PUMP HOUSE & PIPE LAYOUT	SCALE ASSIGNED
CHECKED BY		DATE
PREPARED AND APPROVED BY	CHEIF STATE PARKS DIVISION	DATE
APPROVED BY		DATE

E-94