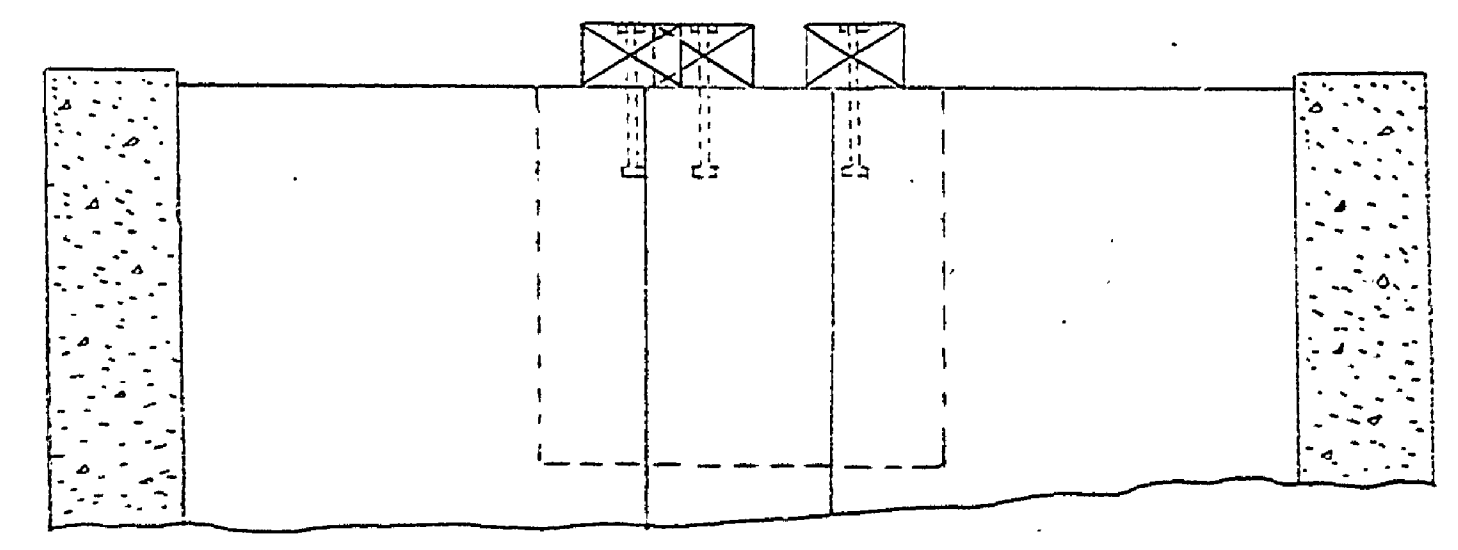
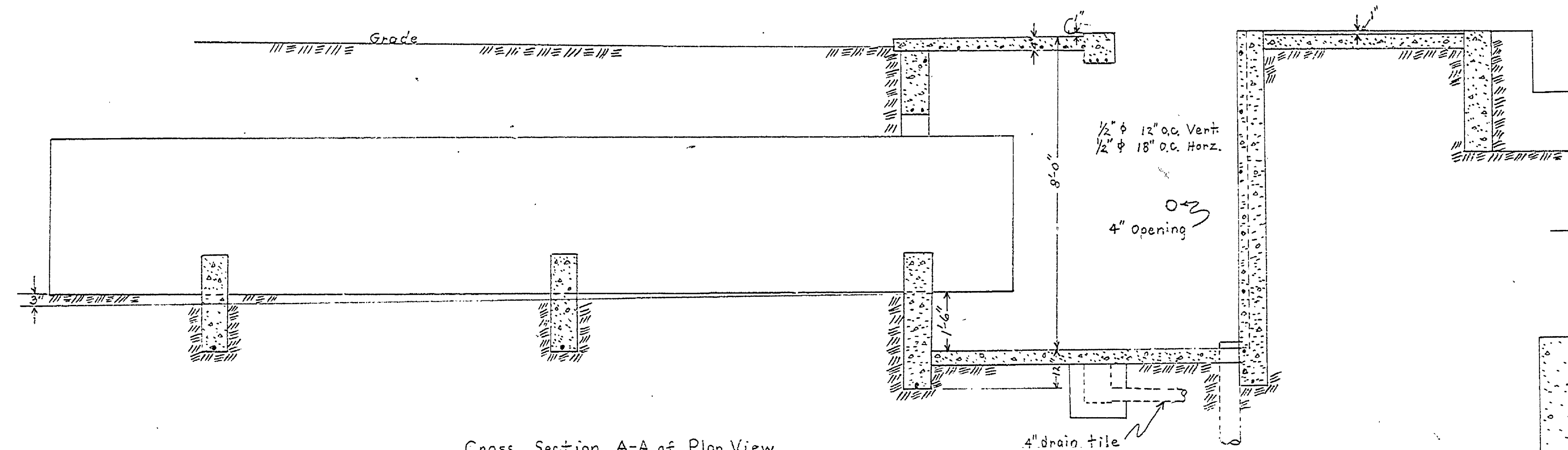


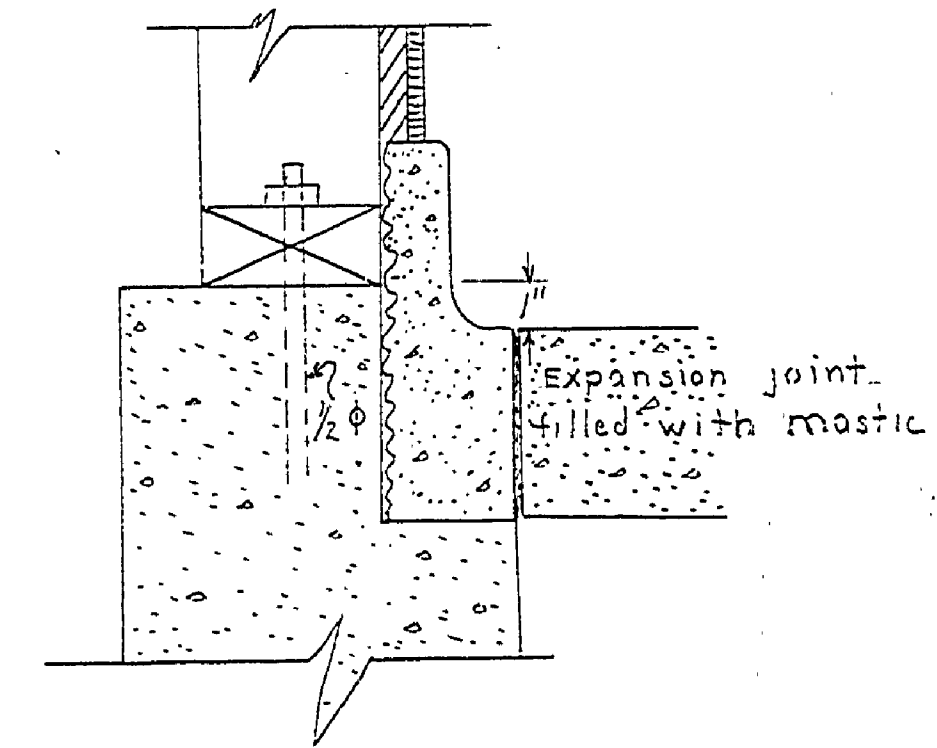
Plan View - showing tank, well, and engine room
scale 1/2" = 1'



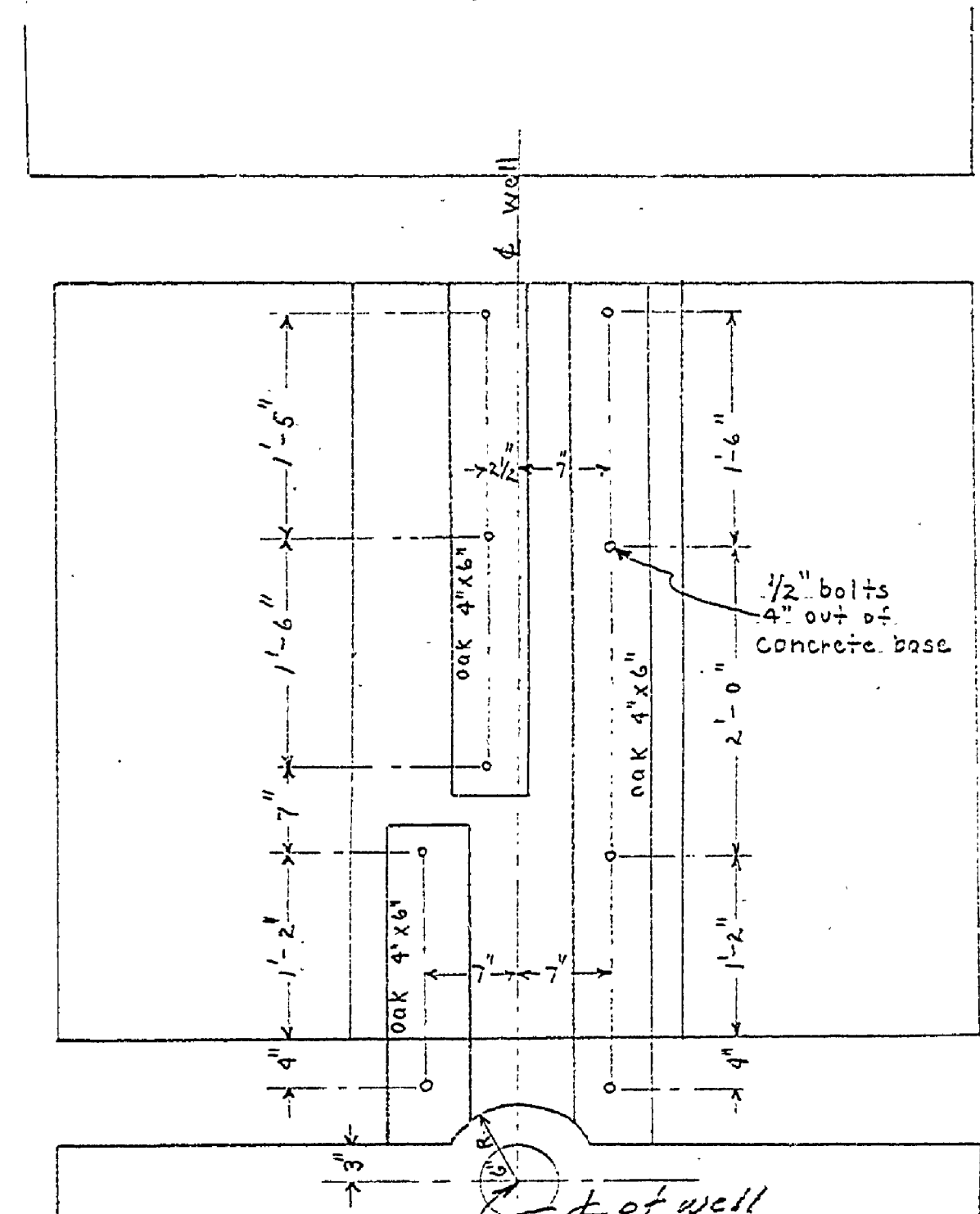
Elevation of engine and well head base



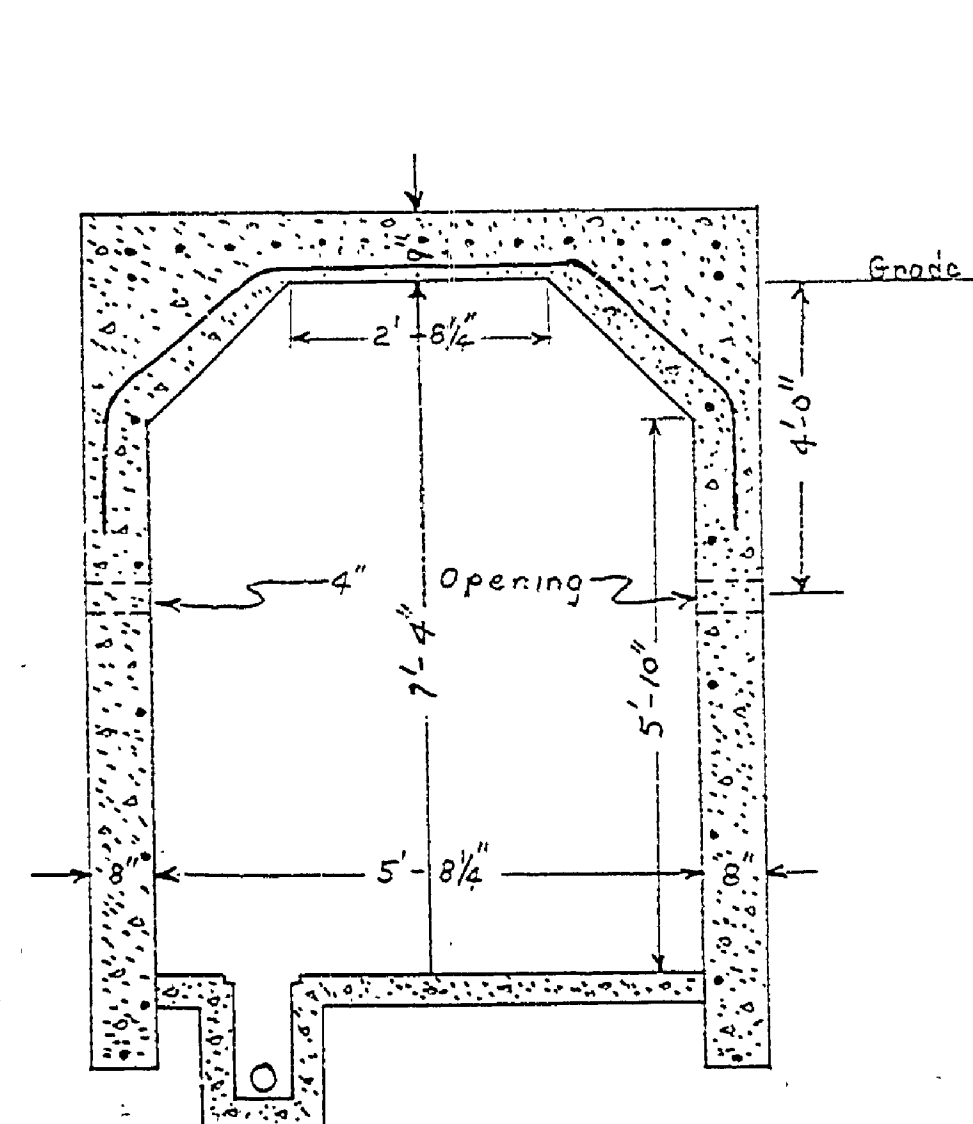
Cross Section A-A of Plan View
scale 1/2" = 1'



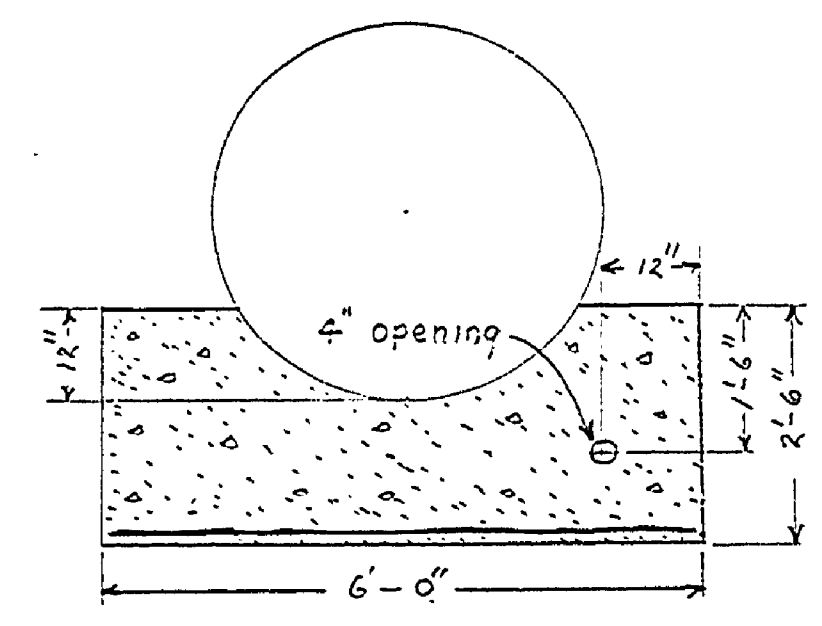
Detail of floor construction in toilet rooms
scale 3" = 1'



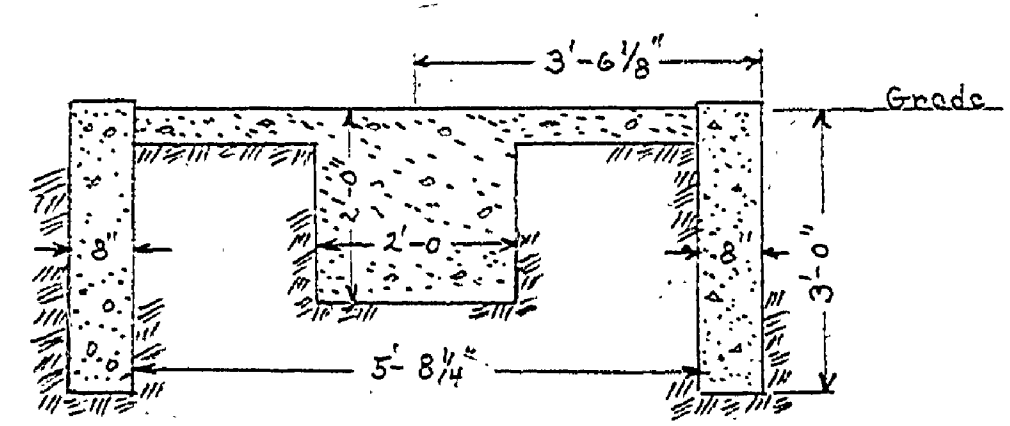
Plan View of Engine Room
scale 1" = 1'



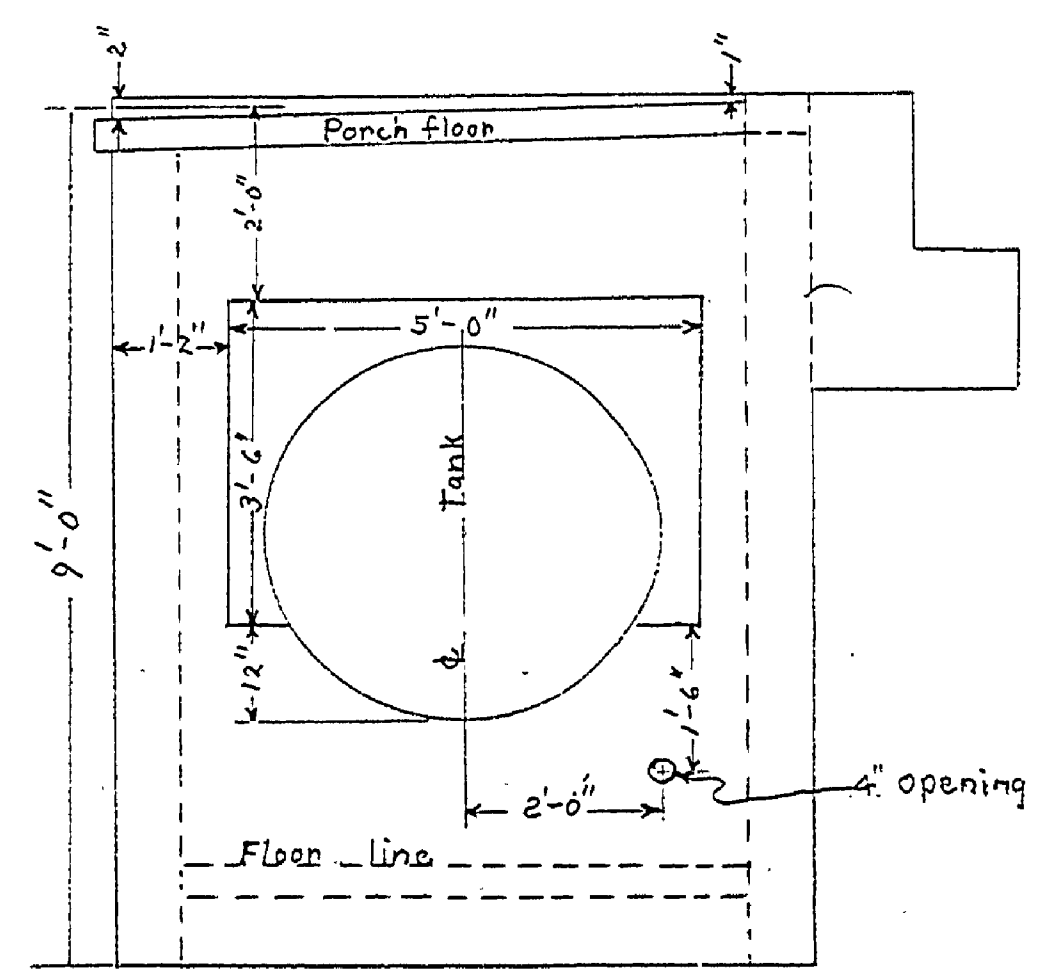
Section C-C
scale 1/2" = 1'



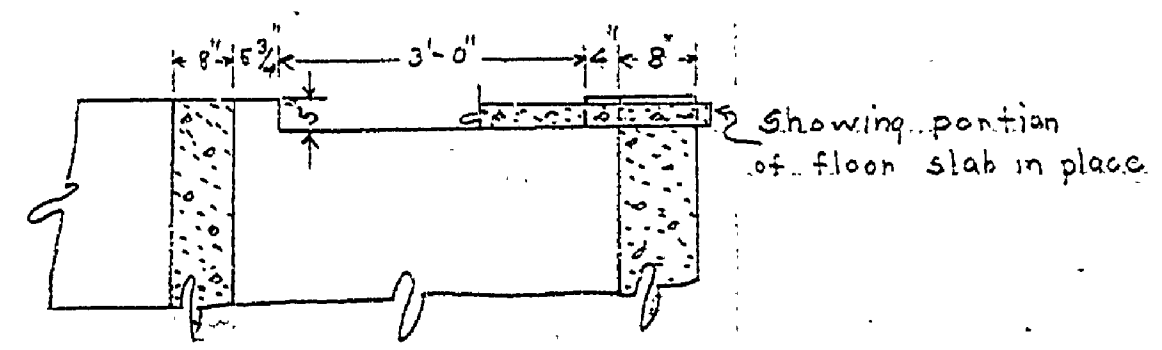
Section B-B
scale 1/2" = 1'



Section D-D
scale 1/2" = 1'



Section E-E
scale 1/2" = 1'



Section F-F
Through doorway
scale 1/2" = 1'

DEPARTMENT OF THE INTERIOR NATIONAL PARK SERVICE And MICHIGAN DEPARTMENT OF CONSERVATION CO-OPERATING			
BRANCH OF PLANNING		STATE PARK DIVISION	
SYMBOL	HARTWICK PINES STATE PARK S.P.#8	SHEET NO.	
NUMBER	Sketch of water tank and pump foundations and pit construction	FILE NO.	
DRAWN BY	for Osego Lake State Park Water system		
CHECKED	PROJECT SUPERINTENDENT	DESIGNED	
DATE		DATE	
RECOMMENDED FOR CONSTRUCTION		SUBMITTED	
DATE	FIFTH REGIONAL INSPECTOR	DATE	SUP'T. OF STATE PARKS
APPROVED FOR CONSTRUCTION		APPROVED	
DATE	FIFTH REGIONAL OFFICER N.P.S.	DATE	MICH. CONSERVATION COMM.

E-97

47