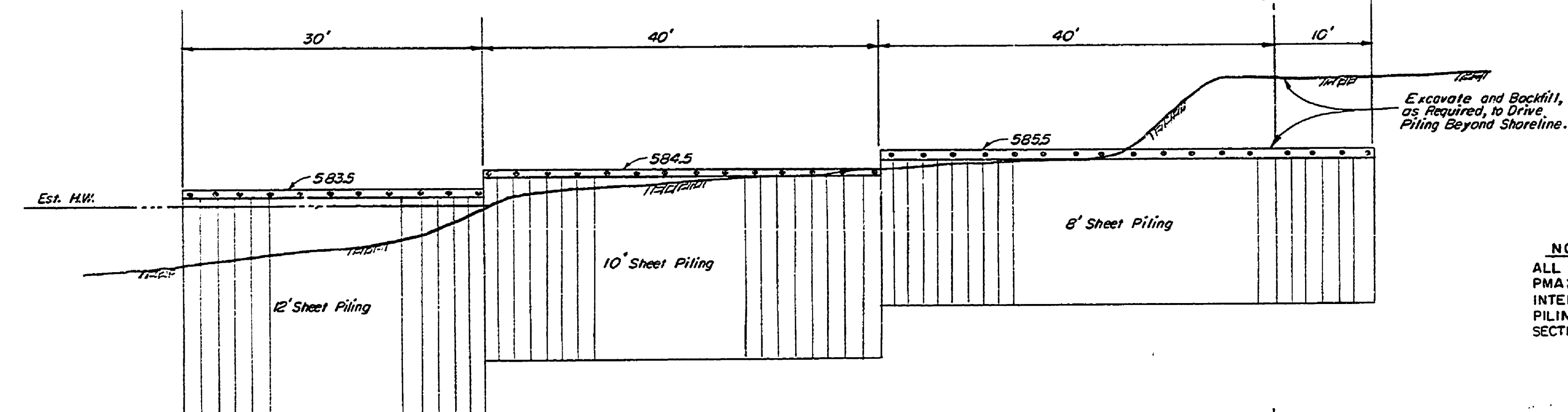
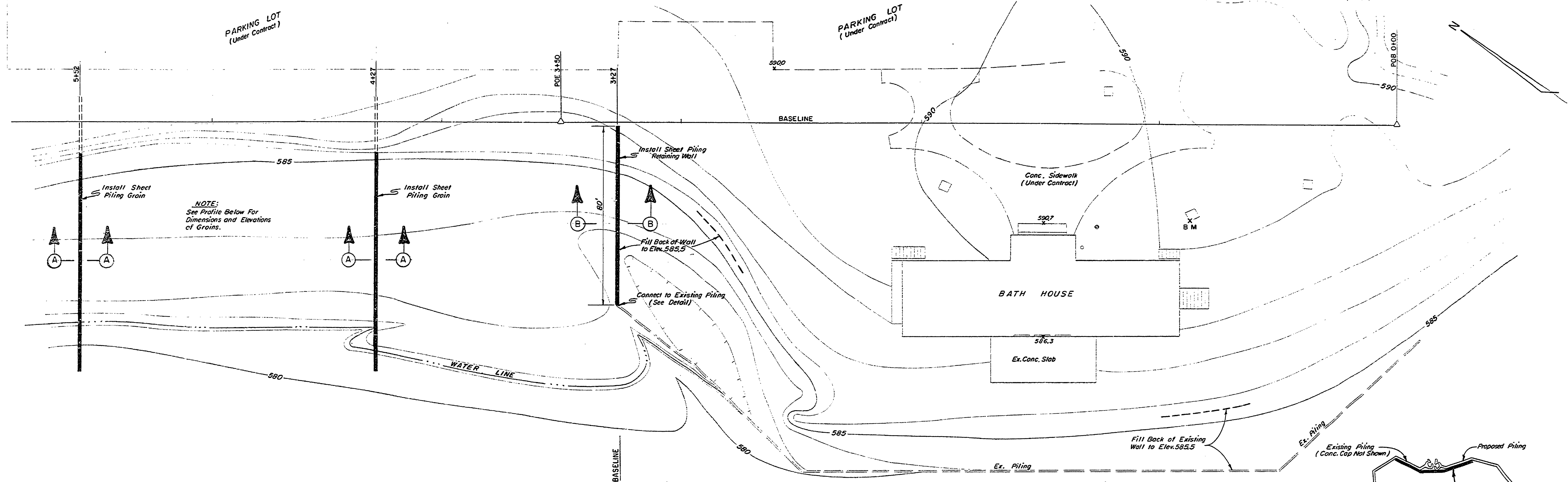


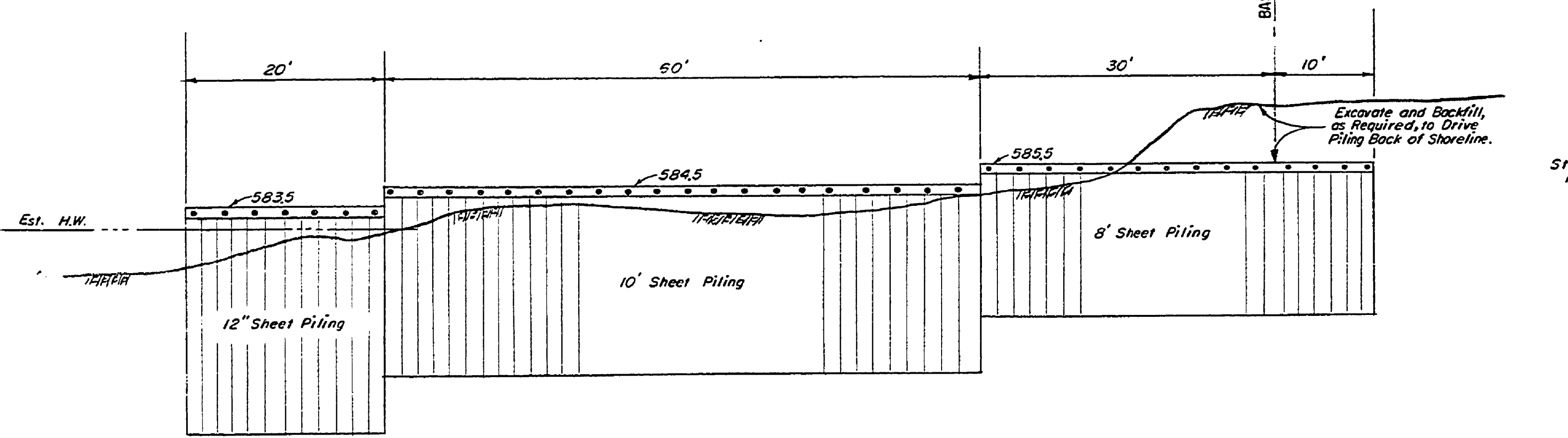
WITNESSES TO POE 3/4" PIPE (FLUSH)
S62° E, 39.5', COR. GUARD POST@ SW COR. PARKING LOT.
N22° W, 43.6', PIPE BASE OF CHARCOL GRILL (MOST SOUTHERN)

B.M. 10 ELEV. 590.51
CHISELED "D" ON W. COR. CONC.
MH. SLAB, 16' SE. FROM BEACH
HOUSE BLDG.

WITNESSES TO POB 3/4" PIPE (FLUSH)
N 64° W, 45.8', CENTER MH COVER DOSING CHAMBER
N 52° W, 96.7', " " " " SEPTIC TANK
N 20° W, 121.8', " " " " DOSING CHAMBER

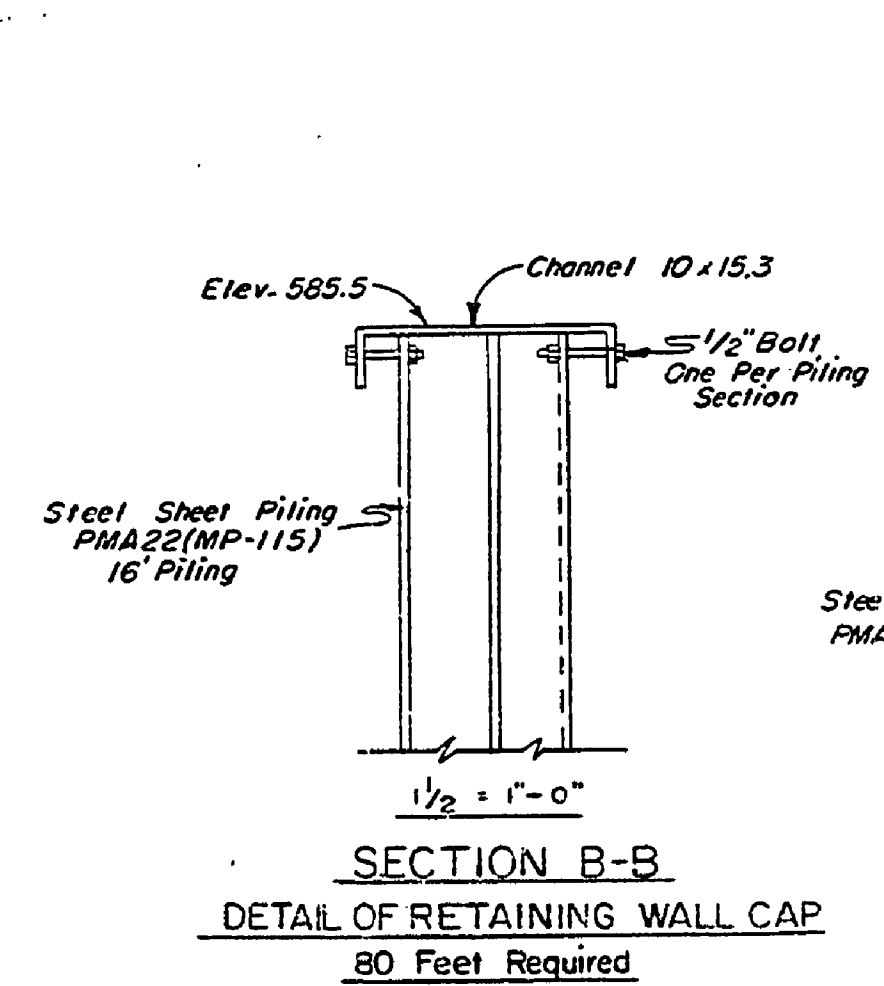


STEEL SHEET PILING GROIN
AT STA. 5+52

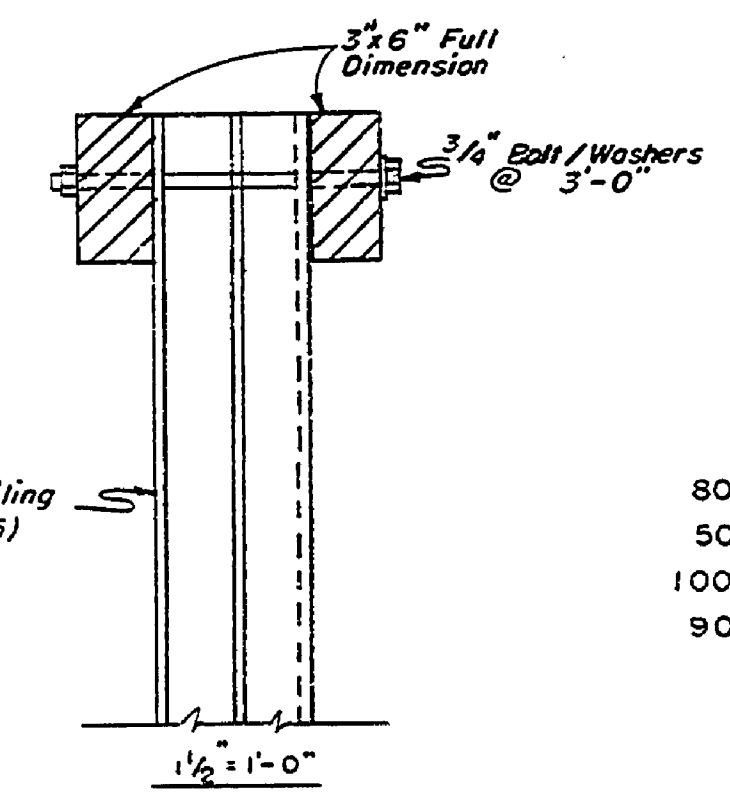


STEEL SHEET PILING GROIN
AT STA. 4+27

NOTE:
ALL SHEET PILING TO BE
PMA22 MP-115 OR EQUIVALENT
INTERLOCKING STEEL SHEET
PILING OF EQUAL OR GREATER
SECTION MODULUS.



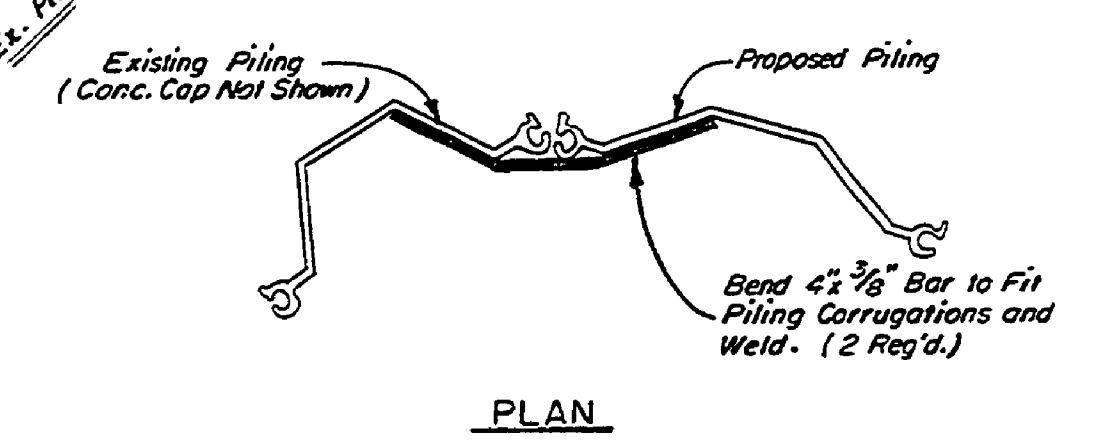
SECTION B-B
DETAIL OF RETAINING WALL CAP
80 Feet Required



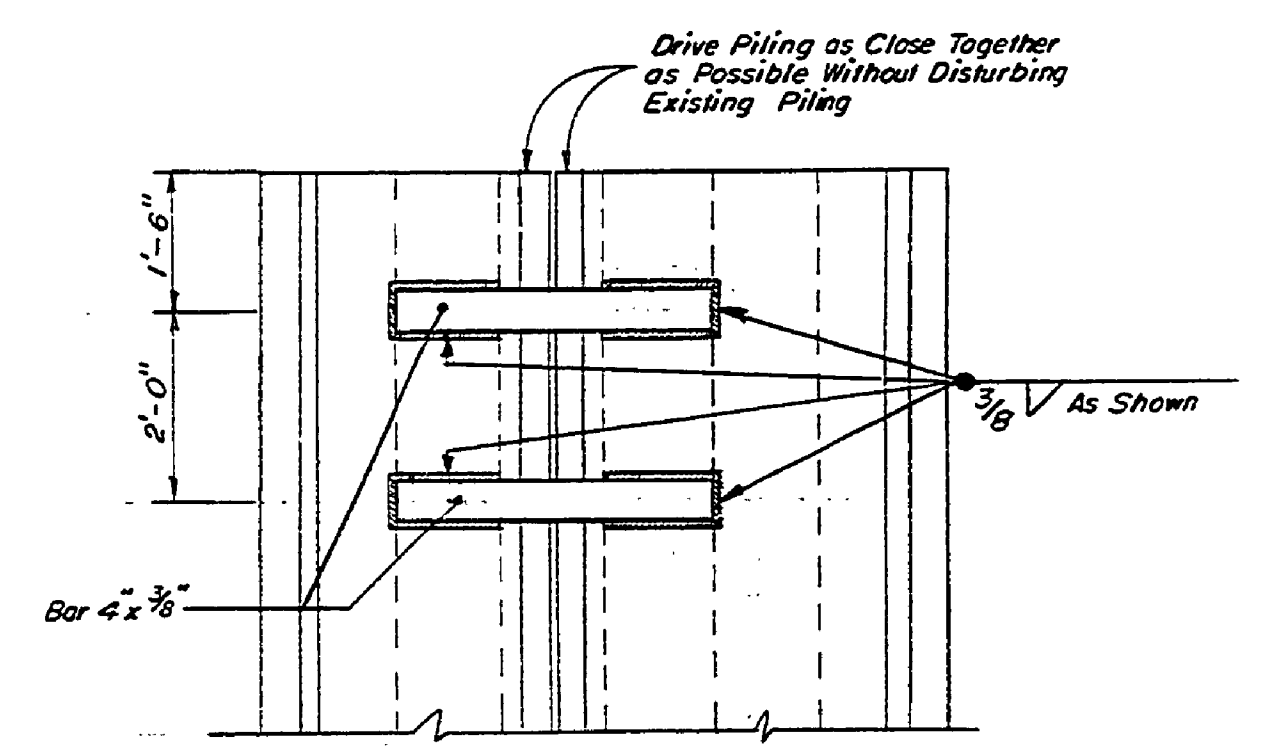
SECTION A-A
DETAIL OF GROIN CAP
240 Feet Required

LAKE MICHIGAN

SITE PLAN
1" = 20'



PLAN



ELEVATION
DETAIL OF PILING CONNECTION

NOTE:
Omit Connection Shown if it is
Possible to Drive New Piling to
Interlock With Existing
Piling.

QUANTITIES

80 Lin. Ft.	16 Ft. Piling	1,280 SQ. FT.
50 Lin. Ft.	12 Ft. Piling	600 SQ. FT.
100 Lin. Ft.	10 Ft. Piling	1,000 SQ. FT.
90 Lin. Ft.	8 Ft. Piling	720 SQ. FT.
TOTAL		3,600 SQ. FT.

Sand Fill 1,250 CU. YDS.

SURVEYED BY	A. V. McCann	3/73	DRAWN BY	J. LEMMON	3/73	NO.	DATE	BY	REVISIONS	NO.	DATE	BY	REVISIONS
DESIGNED BY	W. H. Evans	3/73	CHECKED BY			1.				3.			
		DATE			DATE	2.				4.			

MICHIGAN
DEPARTMENT OF NATURAL RESOURCES

SITE PLAN
SHEET TITLE

LUDINGTON STATE PARK
AREA OR PARK
EROSION CONTROL
PROJECT

BUILDING COMMITTEE APPROVAL	
BY: _____	DATE: _____
RECOMMENDED FOR APPROVAL: _____	
ENGINEERING OR ARCHITECTURAL SUPERVISOR DATE: _____	
RECOMMENDED FOR APPROVAL: _____	
PROGRAM AND PLAN COORDINATOR DATE: _____	
DIVISION/REGION APPROVAL	
BY: _____	DATE: _____
DIVISION CHIEF/REGIONAL MANAGER ENGINEERING DIVISION	
APPROVED: _____	DATE: _____
CHIEF ENGINEER	
PROJECT NO. 24-1438	SHEET 2 OF 2
PLAN NO. E-136	