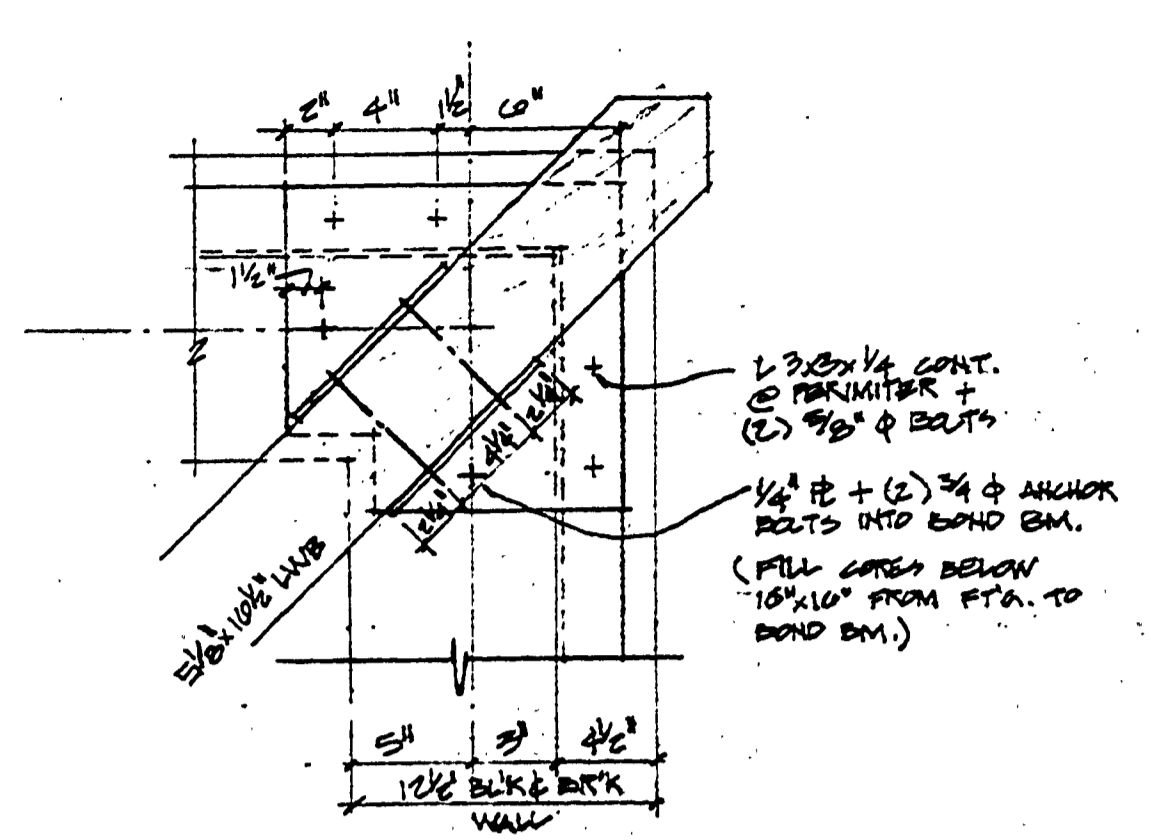
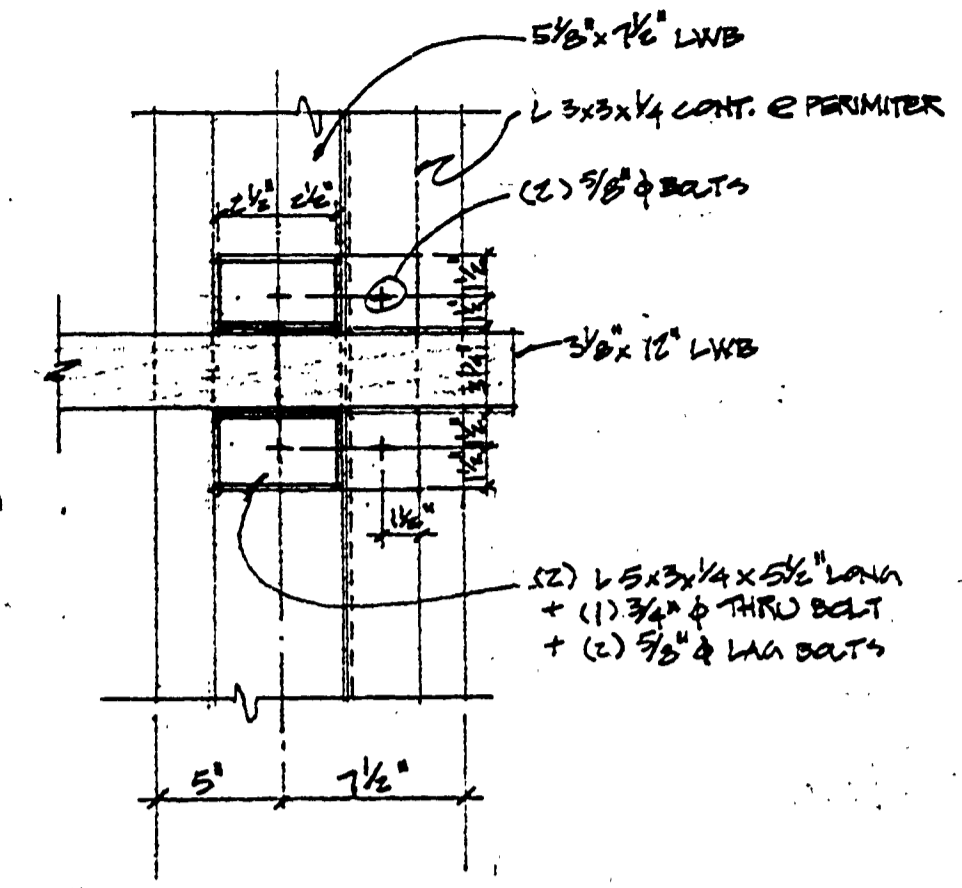


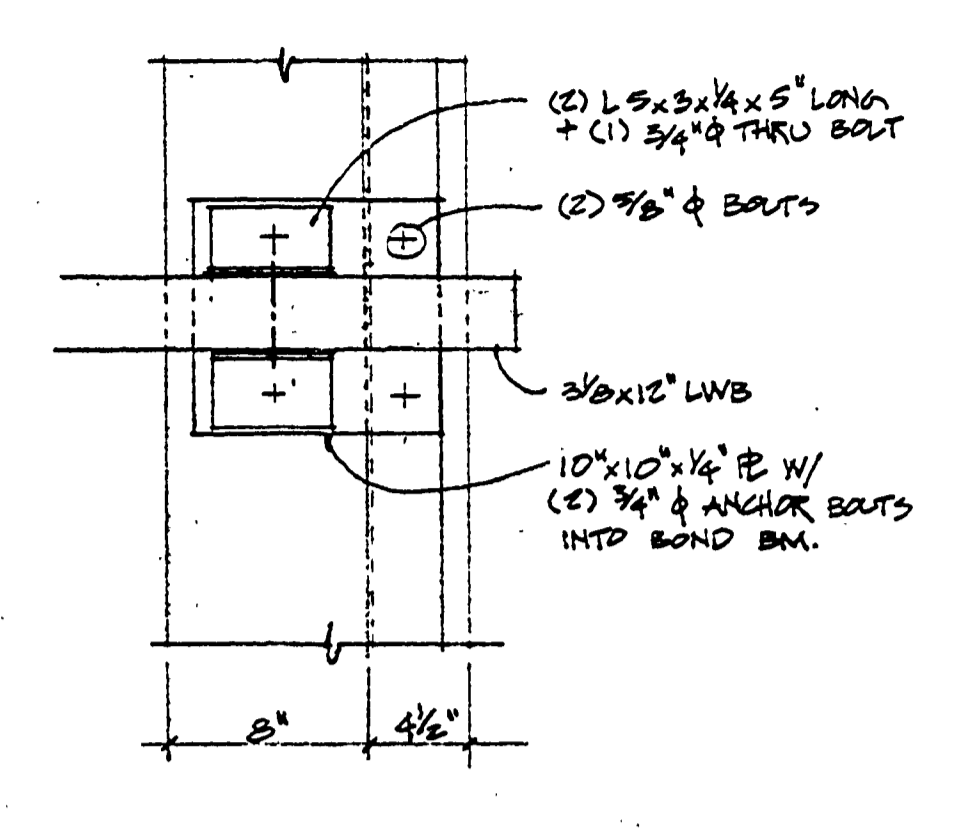
PLAN



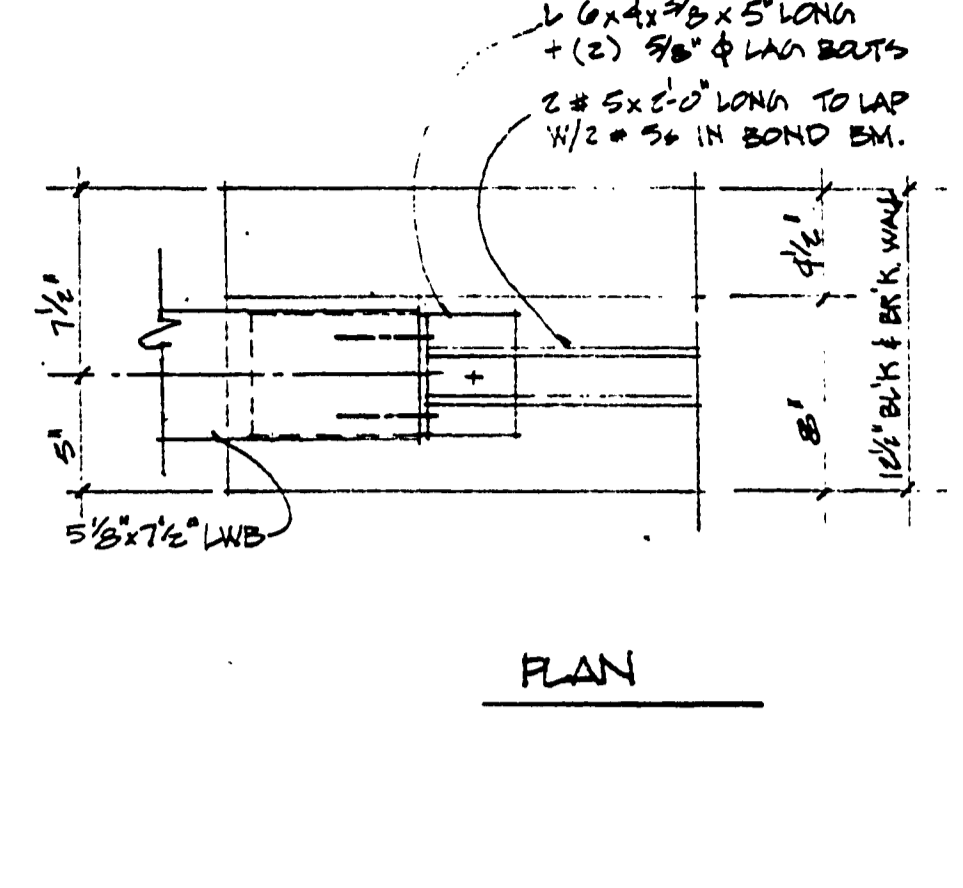
PLAN



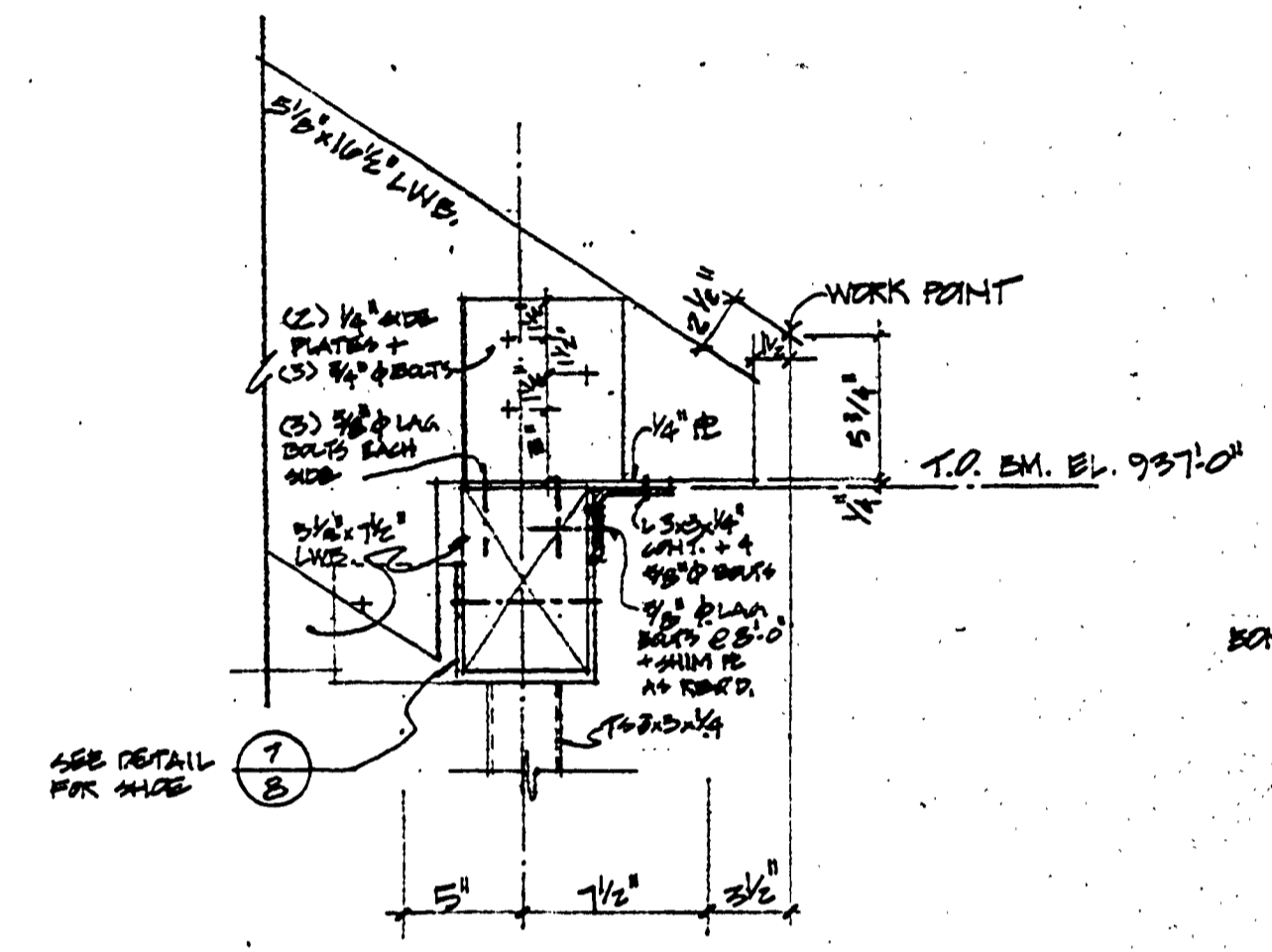
PLAN



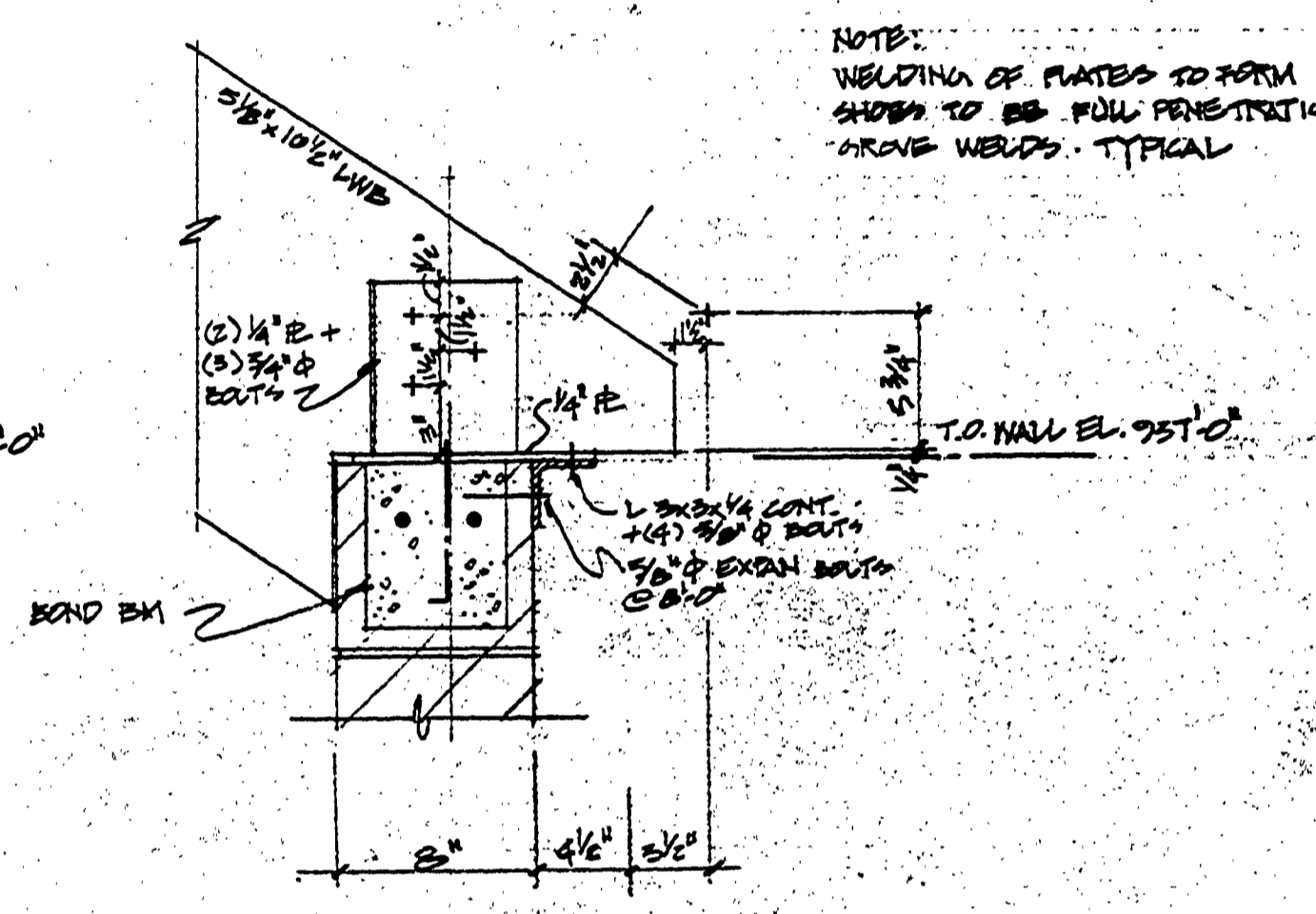
PLAN



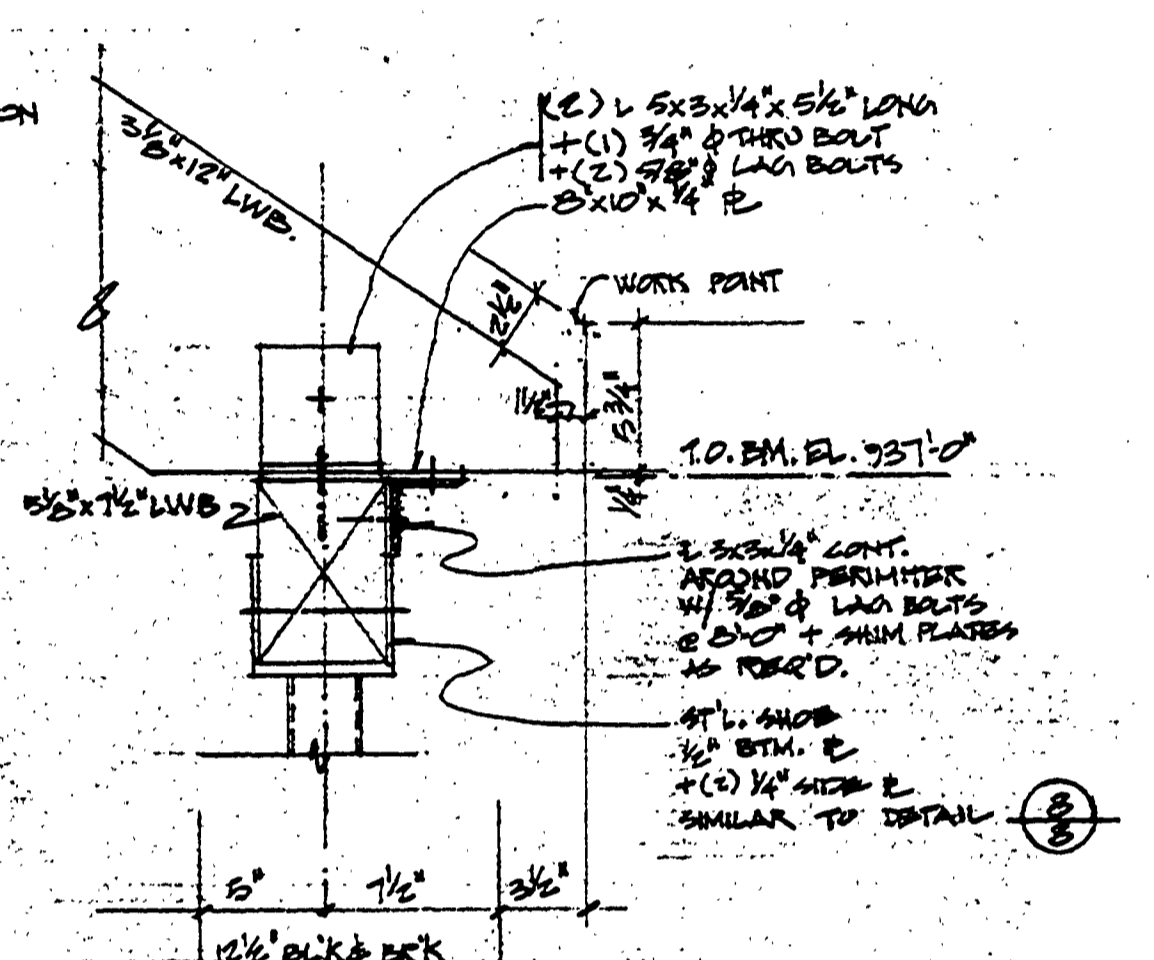
PLAN



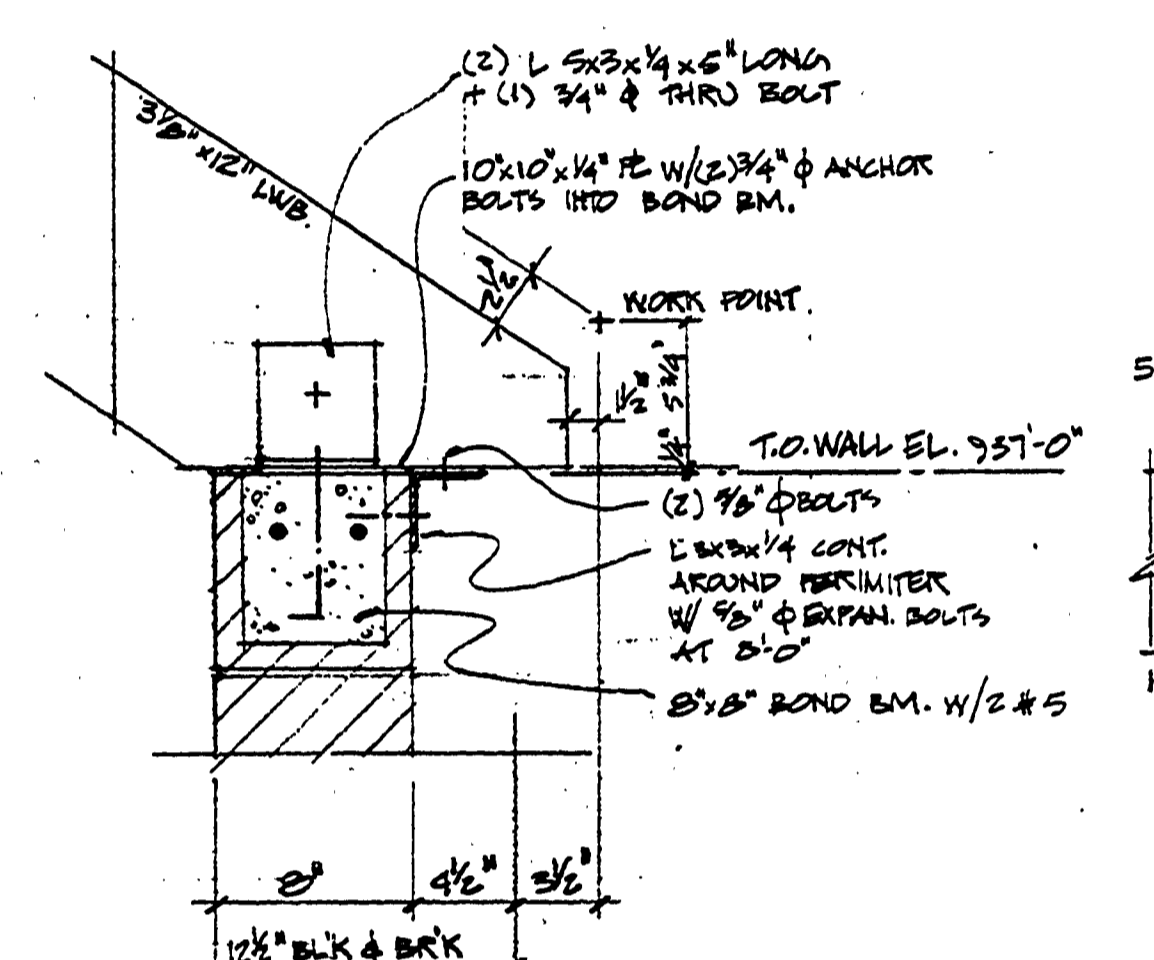
SECTION 1



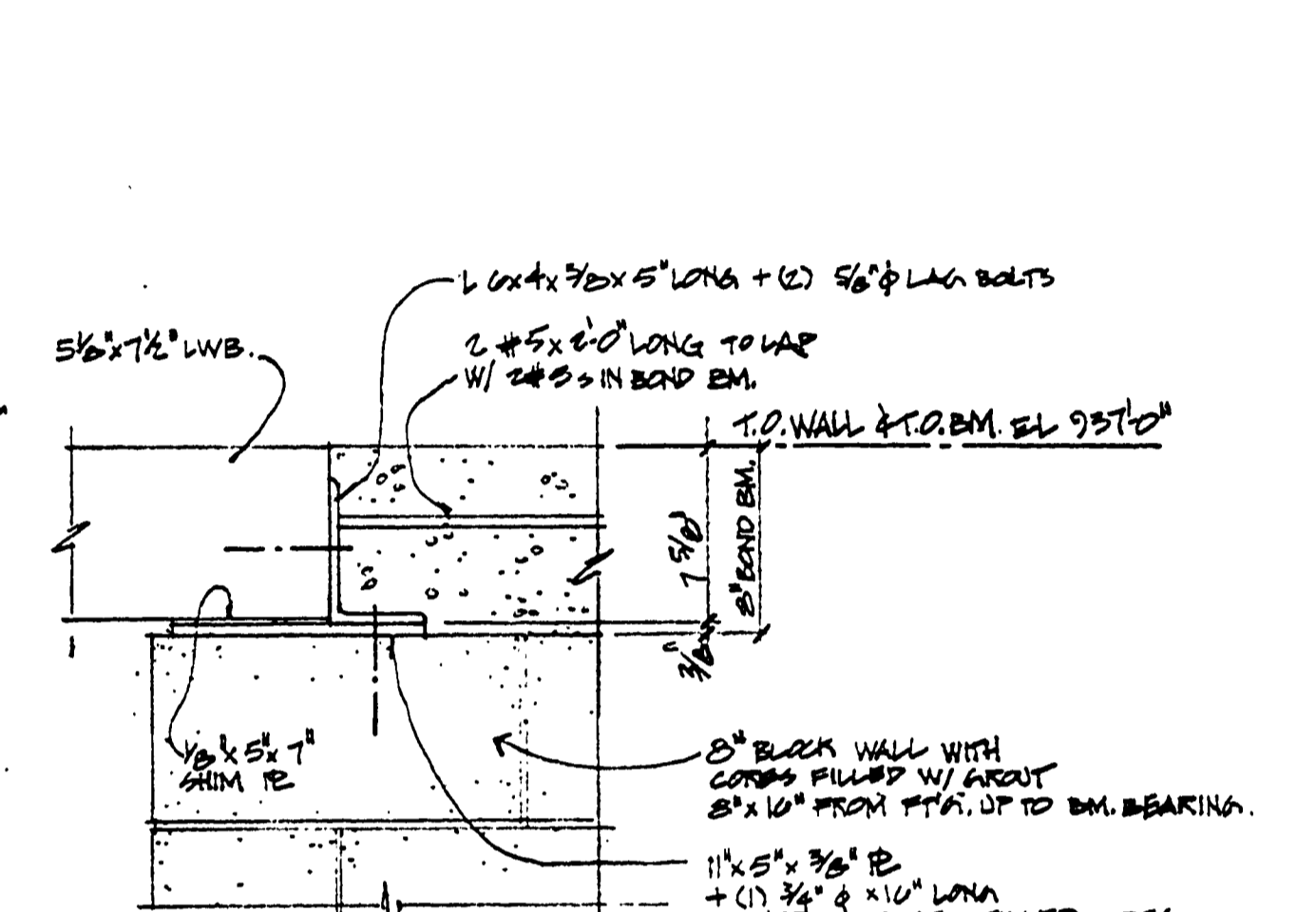
SECTION 2



SECTION 3

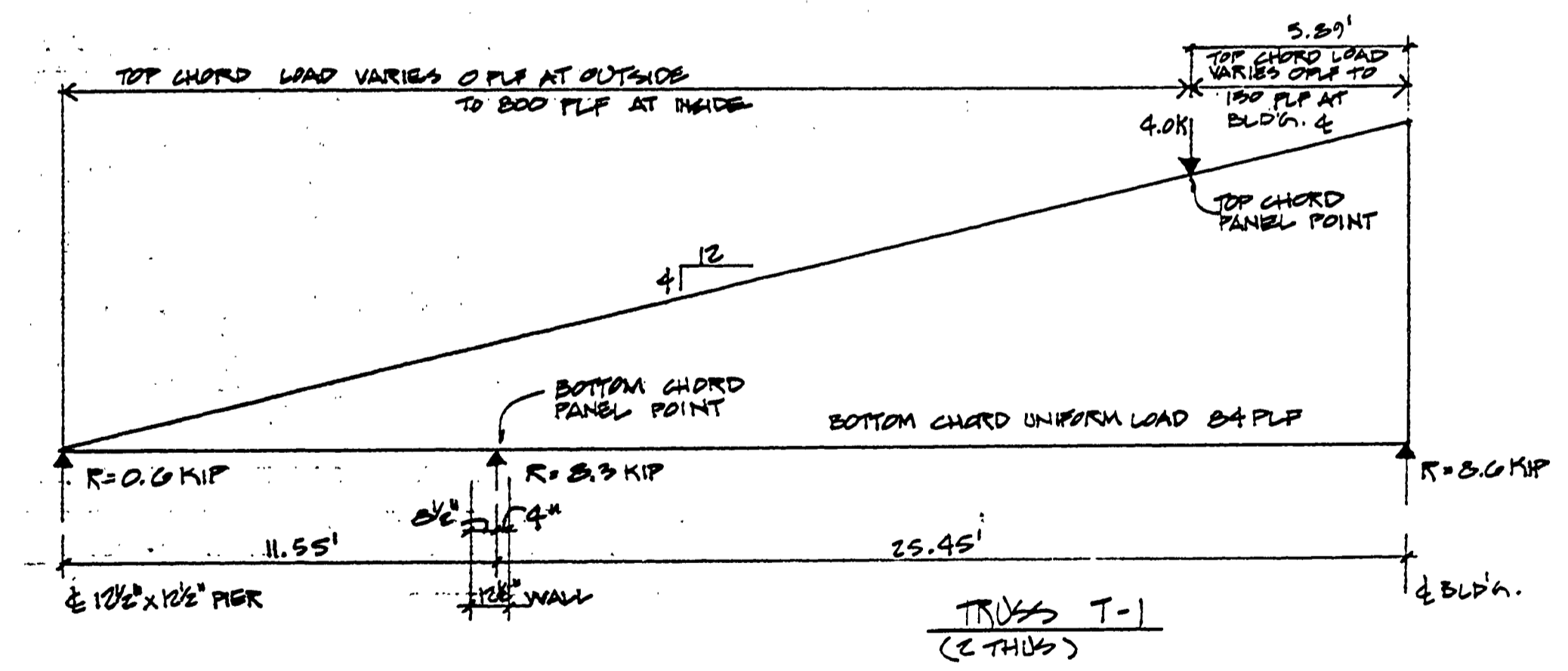


SECTION 4

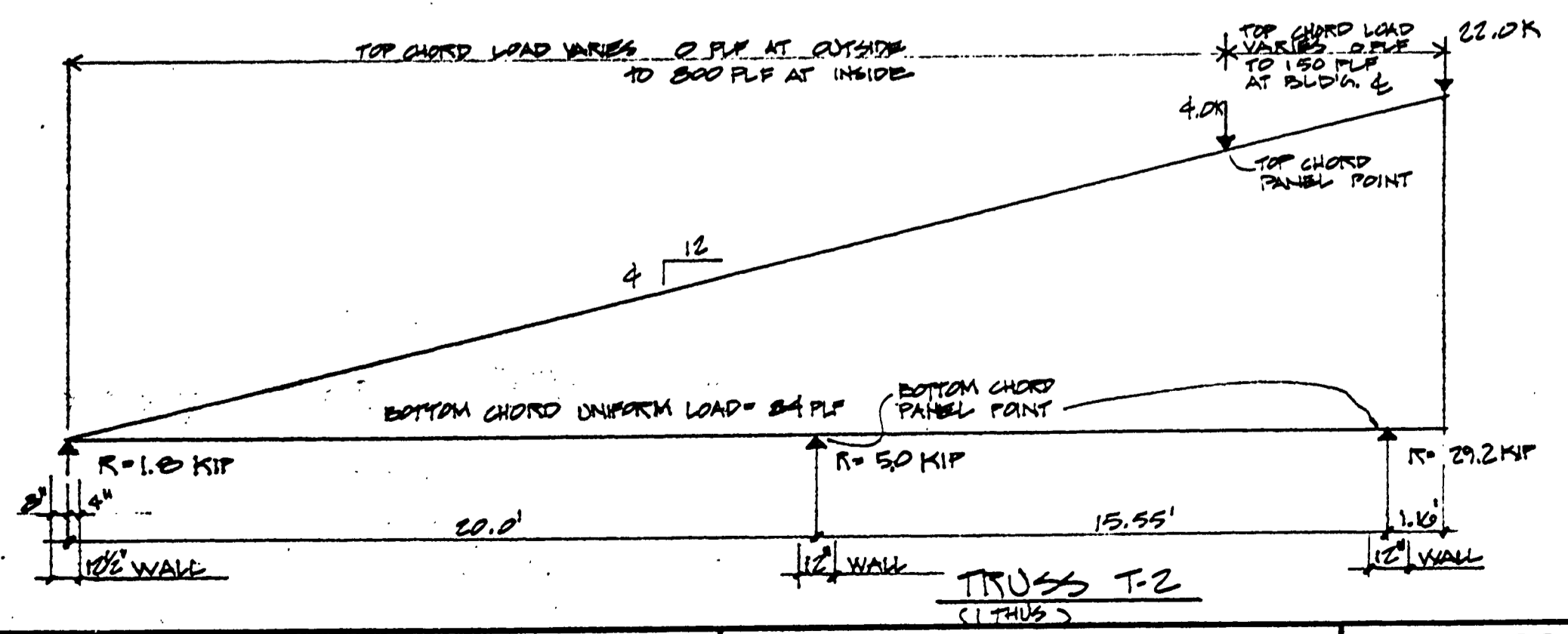


SECTION 5

NOTE: WELDING OF PLATES TO FORM SHOPS TO BE FULL PENETRATION GRAVE WELDS. TYPICAL



TRUSS T-1



TRUSS T-2

SURVEYED BY	DRAWN BY D.G.	NO.	DATE	BY	REVISIONS	NO.	DATE	BY	REVISIONS
DESIGNED BY	CHECKED BY M.F.P.	1.				3.			
DATE	DATE 12-15-76	2.				4.			

MICHIGAN DEPARTMENT OF NATURAL RESOURCES

DETAILS SHEET TITLE

BALD MOUNTAIN RECREATION AREA AREA OR PARK SHOOTING RANGE FACILITY PROJECT

PROJECT NO. 22-4100 SHEET 9 OF 16 PLAN NO. E114