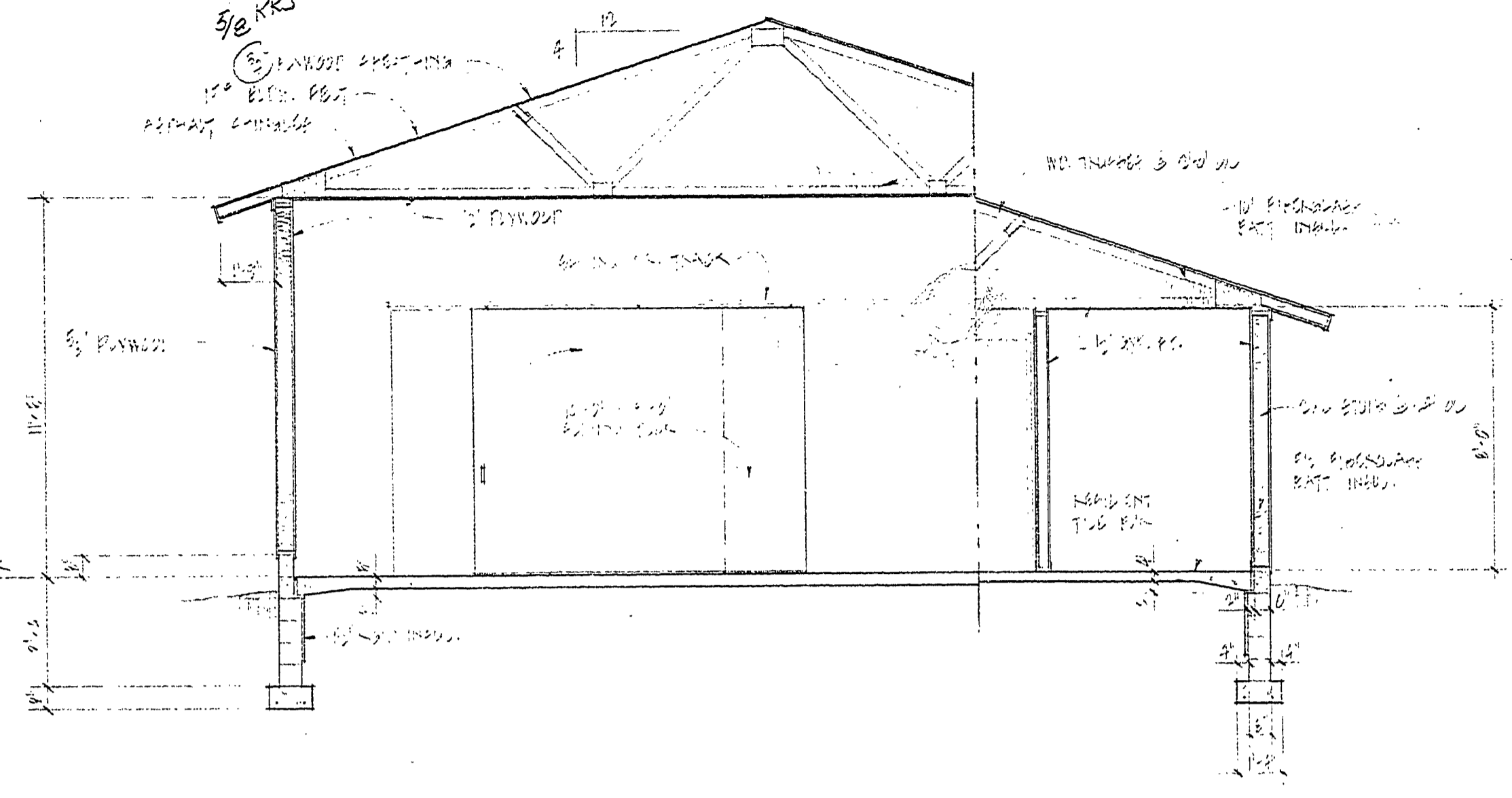
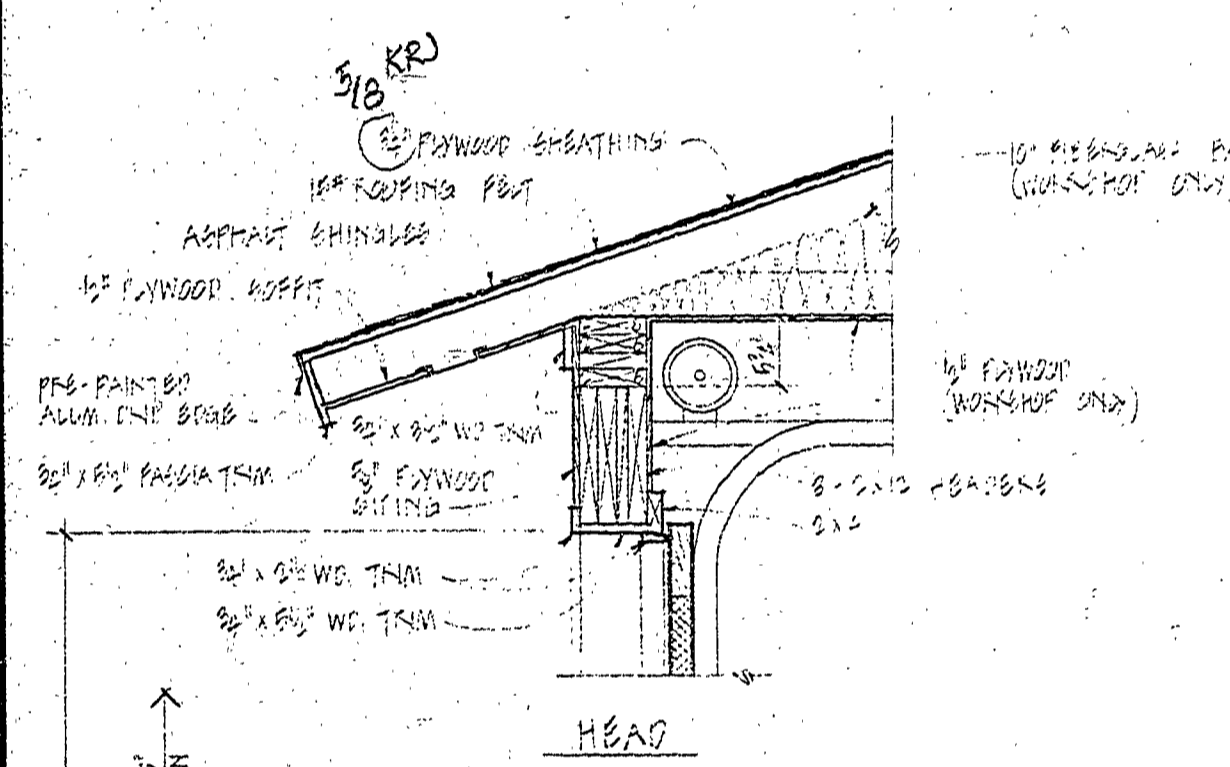


LONGITUDINAL SECTION  
SCALE 1/4" = 1'-0" POST

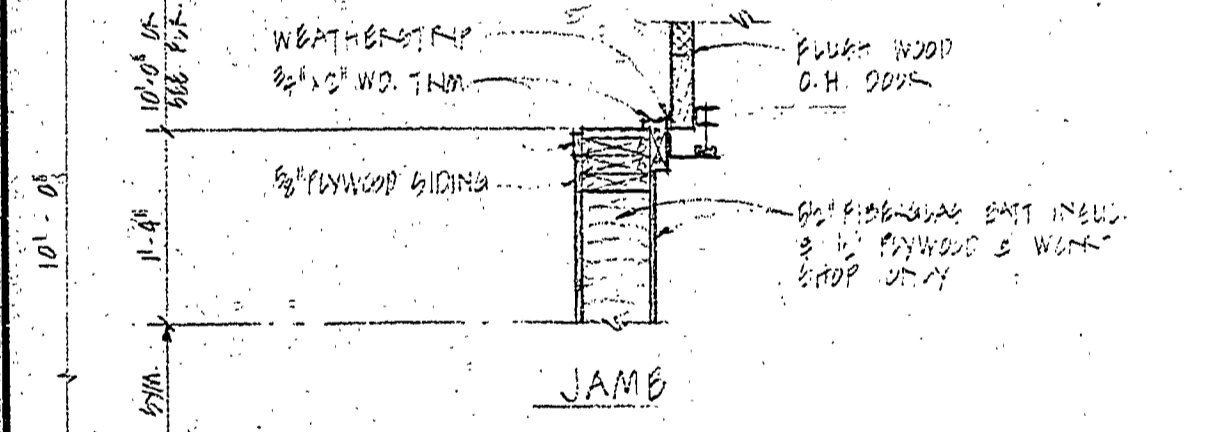
SECTION THRU FIRE-RATED CEILING  
SCALE 3/4" = 1'-0" POST



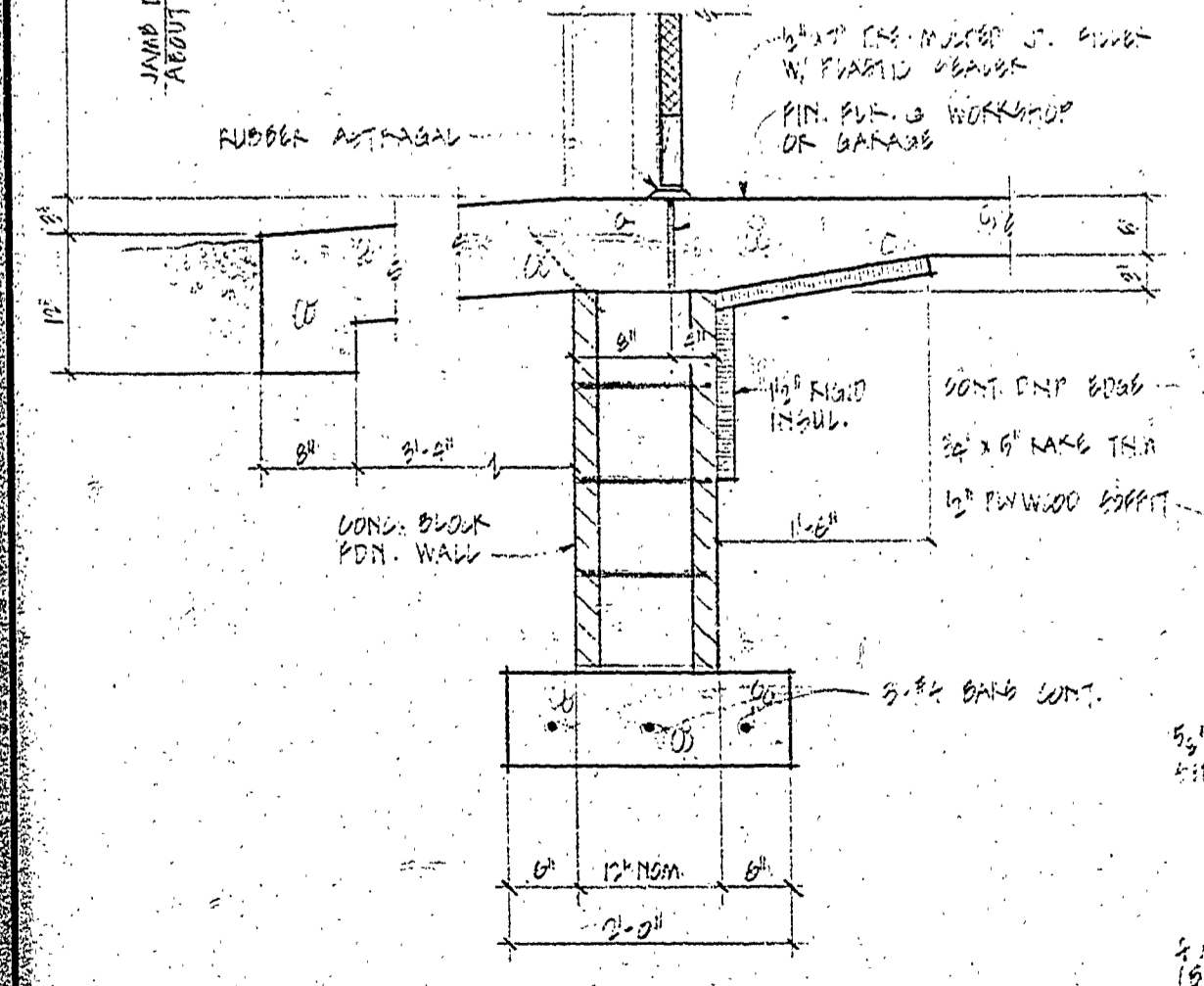
TRANSVERSE SECTION  
SCALE 1/4" = 1'-0" POST



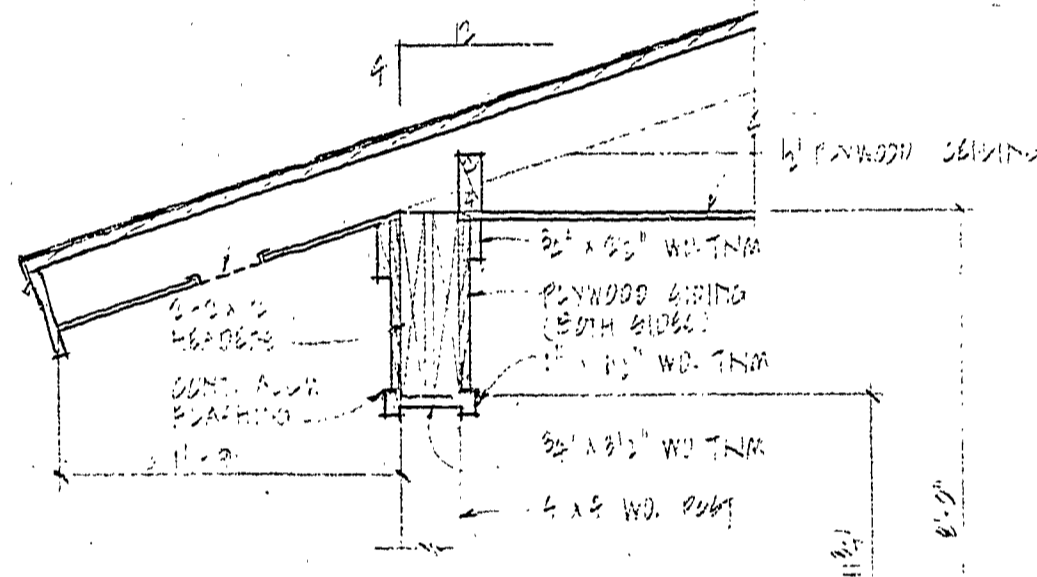
HEAD



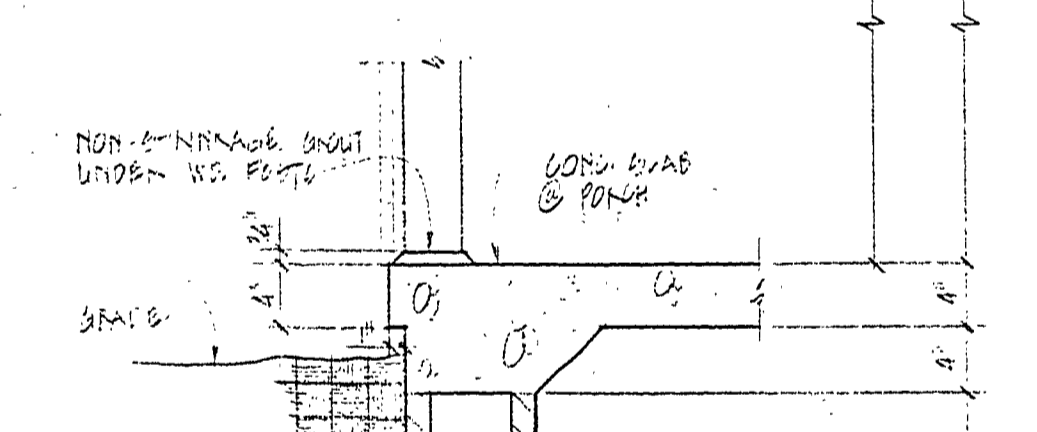
JAMB



WALL SECTION  
SCALE 3/4" = 1'-0" POST

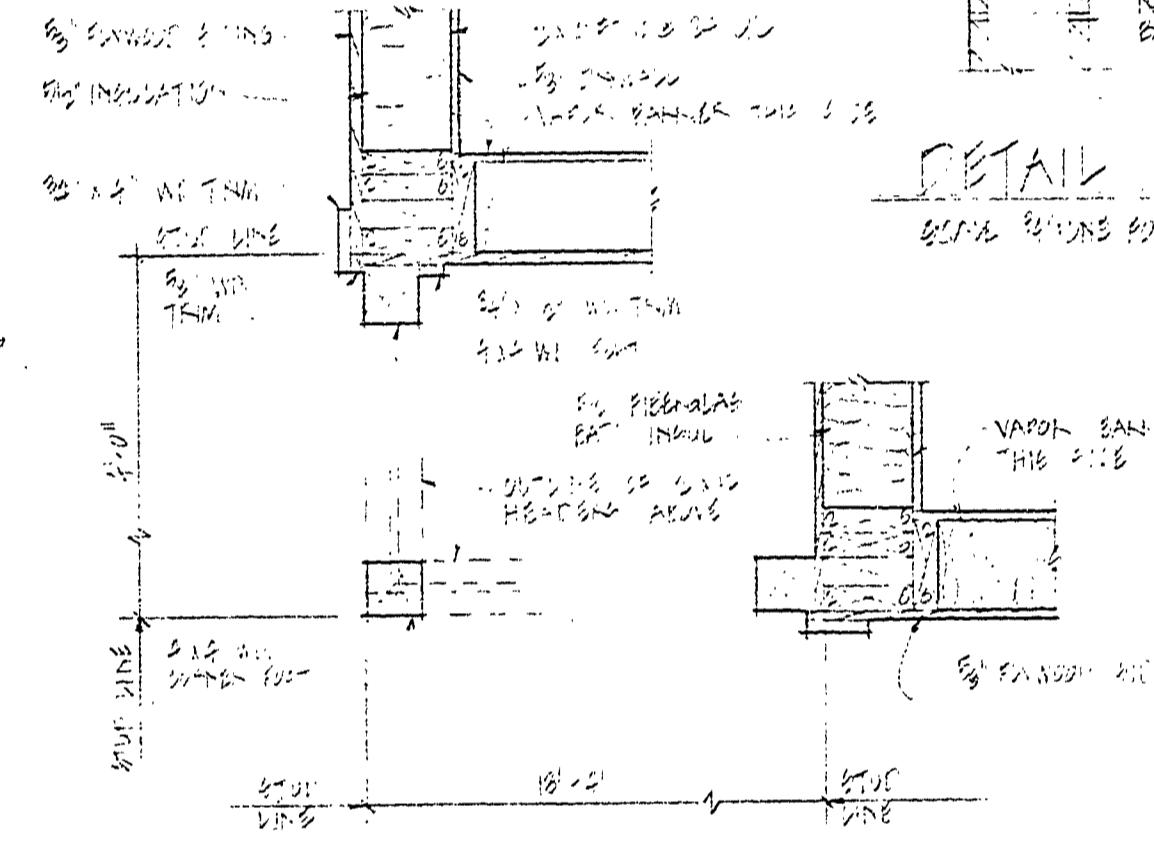


HEAD

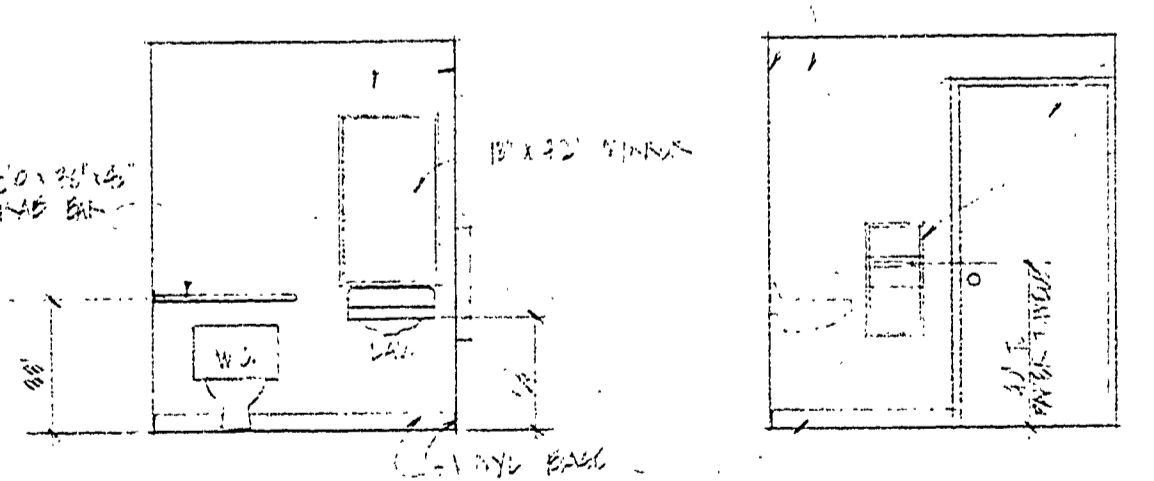


WALL SECTION  
SCALE 1/4" = 1'-0" POST

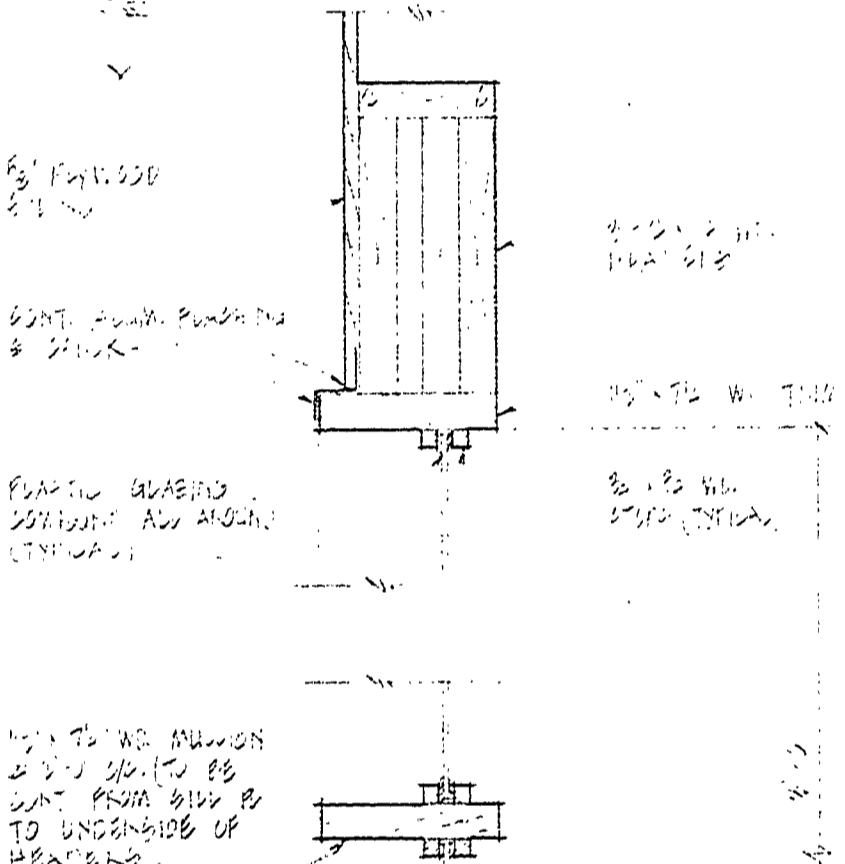
SECTION  
SCALE 1/4" = 1'-0" POST



PLAN SECTION  
SCALE 1/4" = 1'-0" POST

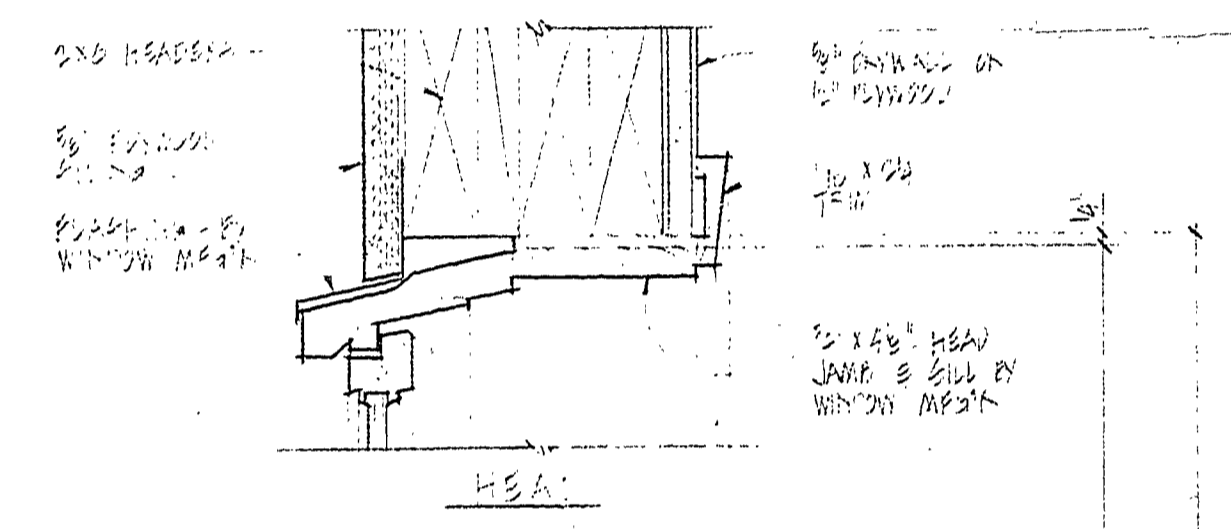


TOILET SEAT ELEVATIONS  
SCALE 1/4" = 1'-0" POST

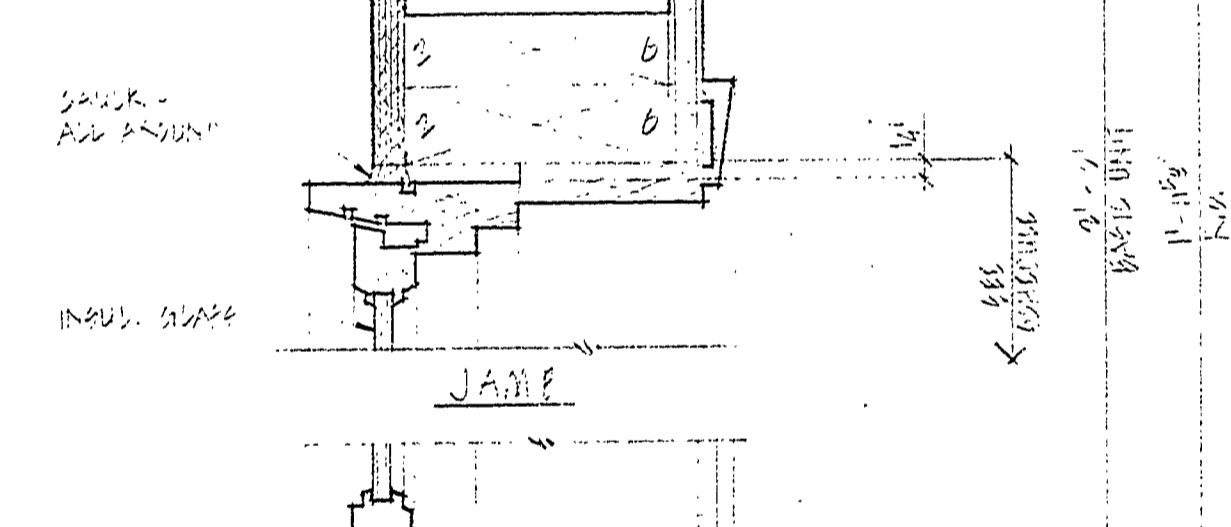


DETAIL  
SCALE 3/4" = 1'-0" POST

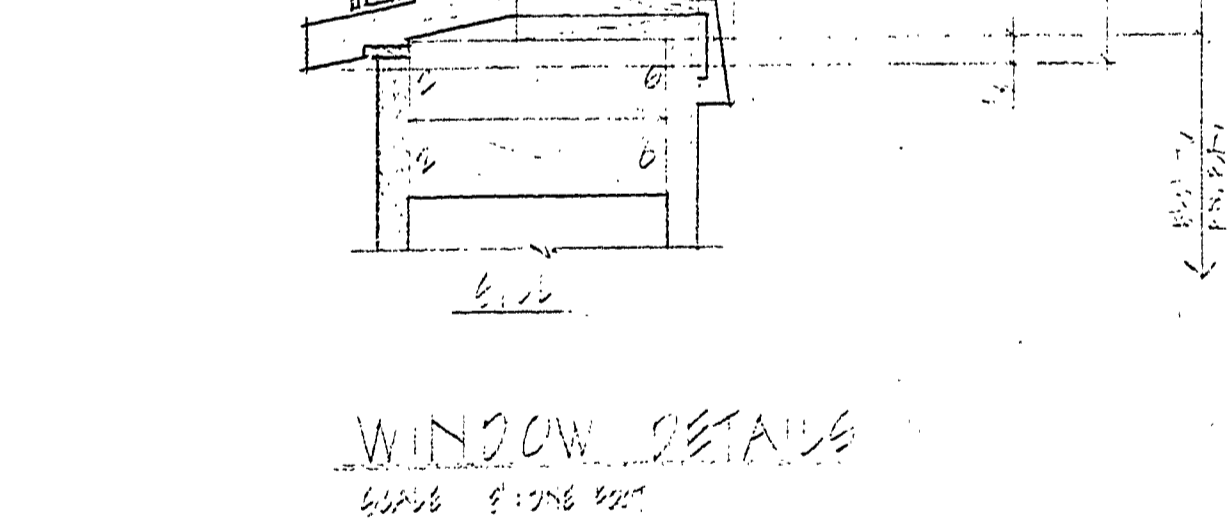
SECTION  
SCALE 1/4" = 1'-0" POST



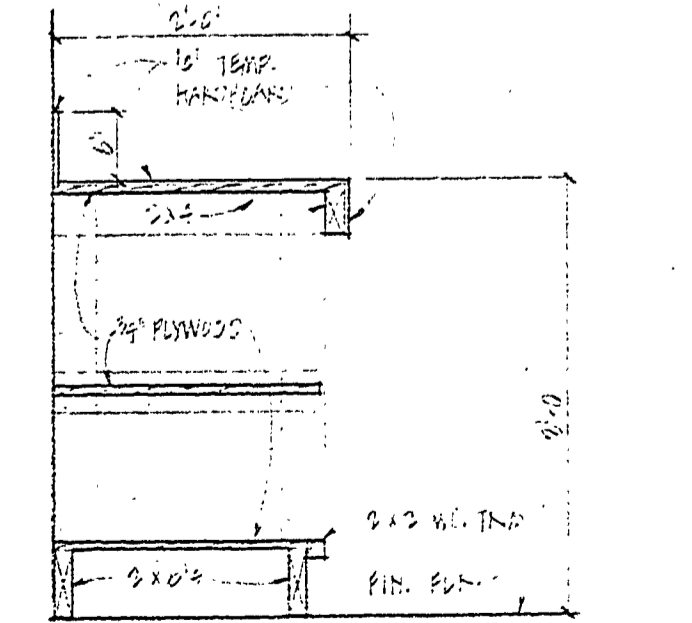
WINDOW DETAIL



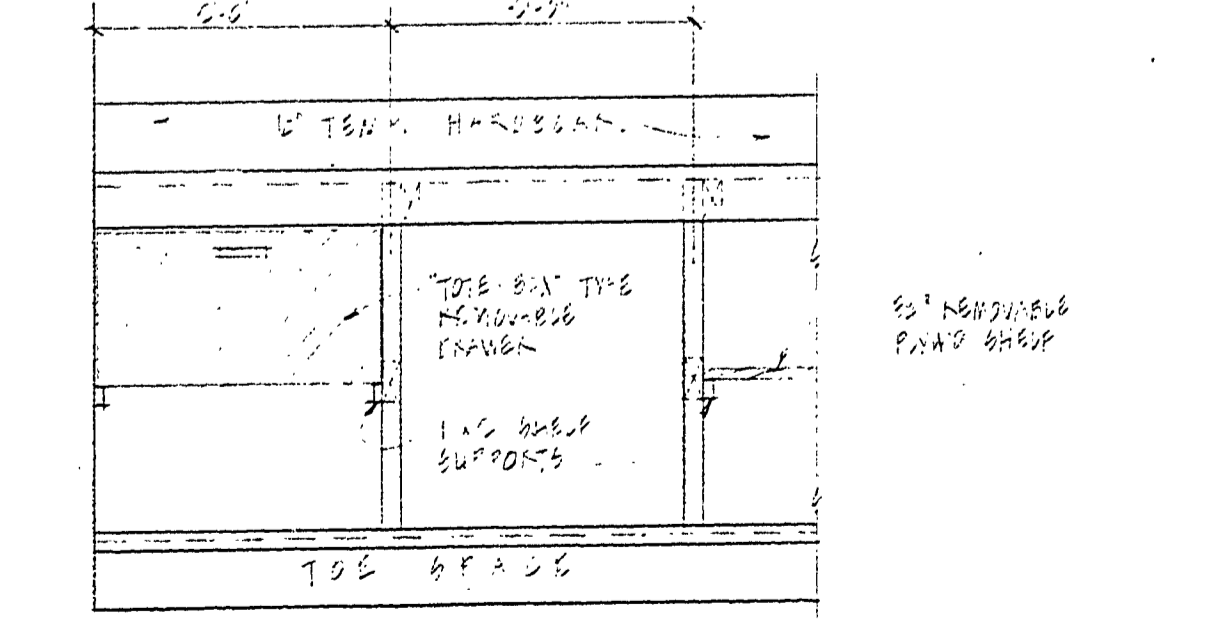
JAMB



WINDOW DETAIL  
SCALE 3/4" = 1'-0" POST



WORKBENCH DETAIL  
SCALE 1/4" = 1'-0" POST



ELEVATION

SURVEYED BY	DESIGNED BY	DATE	NO.	DATE	BY	REVISIONS	NO.	DATE	BY	REVISIONS
			1.				3.			
			2.				4.			

MICHIGAN DEPARTMENT OF NATURAL RESOURCES

SECTIONS & DETAILS  
SHEET TITLE

BALD MOUNTAIN STATE PLAZA  
AREA OR PARK  
PROJECT

PROJECT NO. 24-2026  
SHEET 4 OF 7  
PLAN NO. A-104