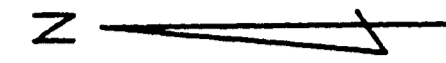


BENCH MARK ELEV. 899.50
FINISHED FLOOR OF EXISTING TOILET BUILDING

THE LOCATION AND LAYOUT OF THE EXISTING INTERIOR BUILDING PIPING IS BASED ON THE TOILET BUILDING CONSTRUCTION DRAWINGS. VARIATIONS BETWEEN THE AS BUILT LOCATIONS AND THE LOCATIONS SHOWN ON THESE DRAWINGS SHOULD BE EXPECTED AND SHALL NOT BE CAUSE FOR CLAIMS OF ADDITIONAL COSTS BY THE CONTRACTOR.



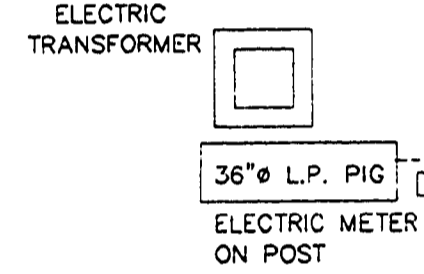
SEE SHEET 3 FOR PROPOSED PUMP STATION DETAILS.

REMOVE AND REPLACE EXISTING CONCRETE SIDEWALK AS REQUIRED FOR INSTALLATION OF SANITARY SEWER. THE SIDEWALK SHALL BE REMOVED TO THE NEAREST JOINT AND SHALL BE SAWCUT.

ALTERNATE ROUTE "A" TO PROPOSED PUMP STATION.

THIS ROUTE USED

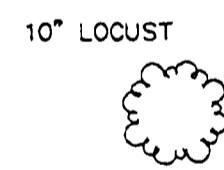
NOT USED
ALTERNATE ROUTE "B" TO PROPOSED PUMP STATION.



INSTALL CLEANOUT AT BEND

EXISTING PUMP STATION. SEE DETAILS THIS SHEET.

INSTALL CLEANOUT AT BEND. CLEANOUT SHALL BE INSTALLED FLUSH WITH SIDEWALK.



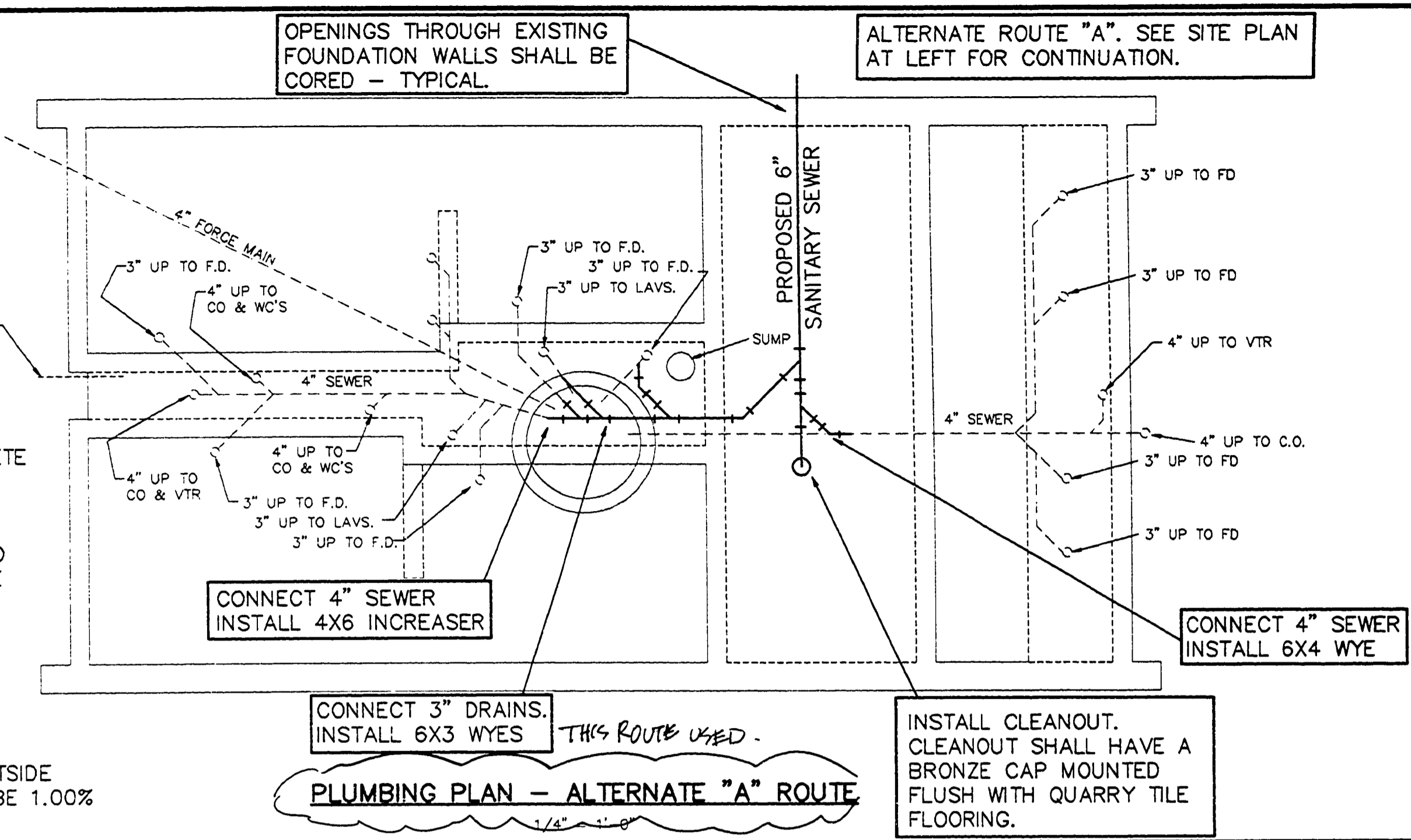
PUMP STATION SITE MAP

SCALE: 1"=10'

NOTE:
EXISTING ELECTRIC LINES ARE IN THE VICINITY OF THE PROPOSED CONSTRUCTION. THE EXACT LOCATION OF THE LINES IS NOT KNOWN. THE CONTRACTOR SHALL USE CAUTION DURING CONSTRUCTION TO PROTECT THE EXISTING LINES.

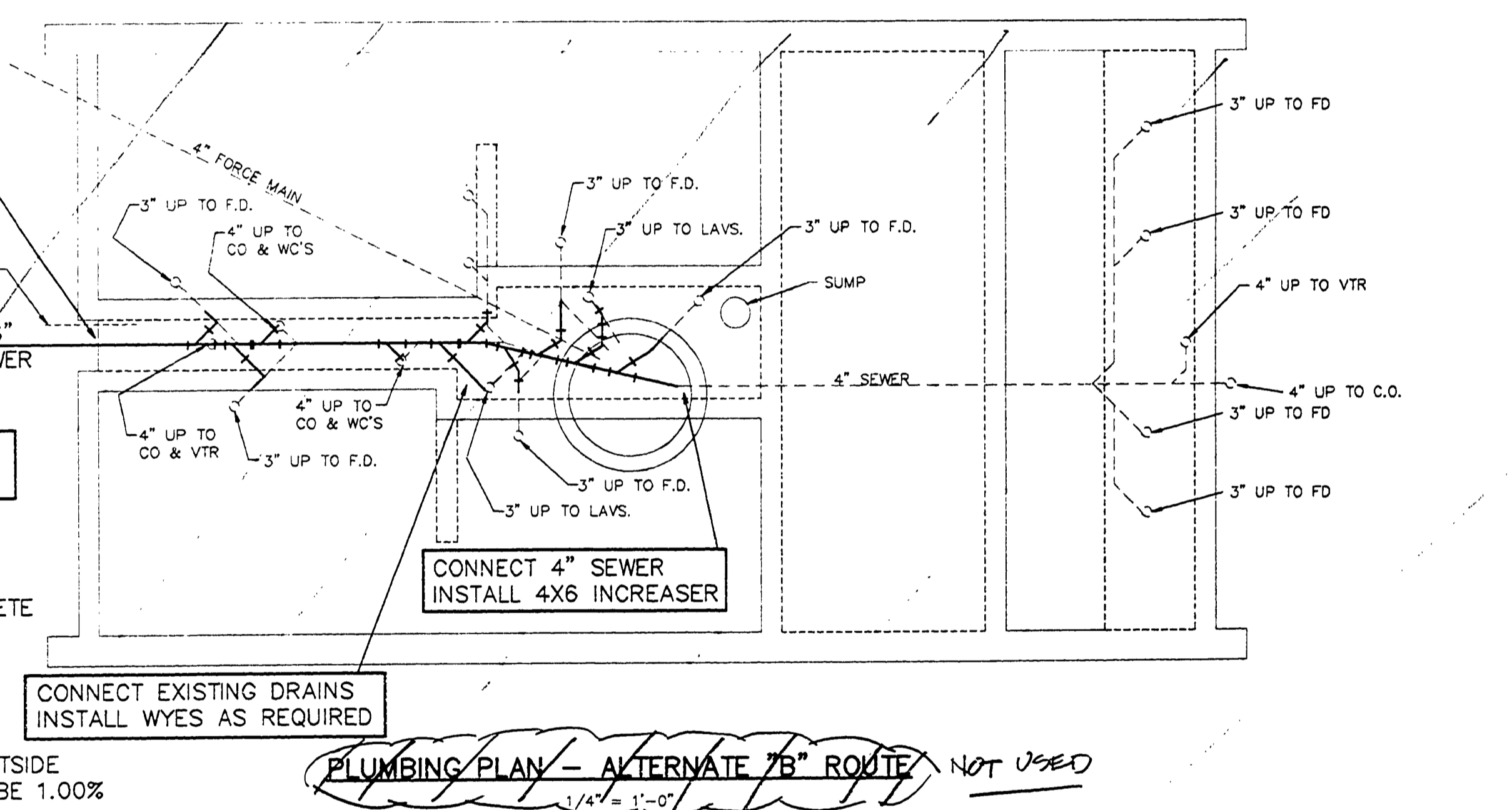
ALL AREAS DISTURBED DURING CONSTRUCTION SHALL BE TOPSOILED, SEED, AND MULCHED IN ACCORDANCE WITH THE SPECIFICATIONS.

1. REMOVE AND REPLACE CONCRETE FLOOR IN PIPE ALLEY AS REQUIRED FOR INSTALLATION OF SEWER. CONCRETE TO BE SAWCUT.
2. REMOVE AND REPLACE QUARRY TILE FLOORING IN BREEZEWAY AS REQUIRED FOR INSTALLATION OF SEWER. REMOVE TILE FLOORING TO NEAREST JOINT. CONCRETE SUBFLOORING SHALL BE SAWCUT.
3. MINIMUM SLOPE OF SEWER INSIDE BUILDING SHALL BE 0.25"/FOOT.
4. PROVIDE 4' OF COVER ON SEWER OUTSIDE OF BUILDING. MINIMUM SLOPE SHALL BE 1.00%

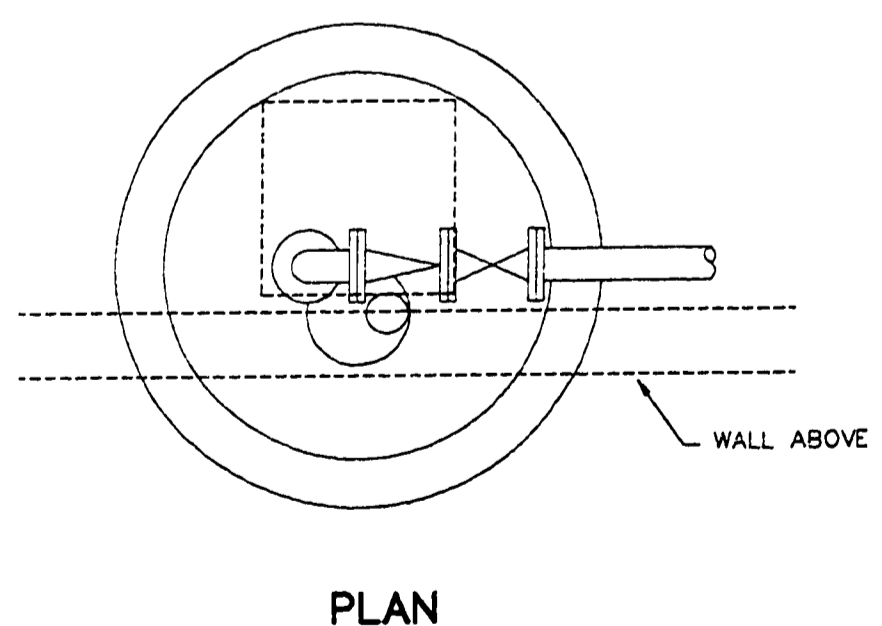
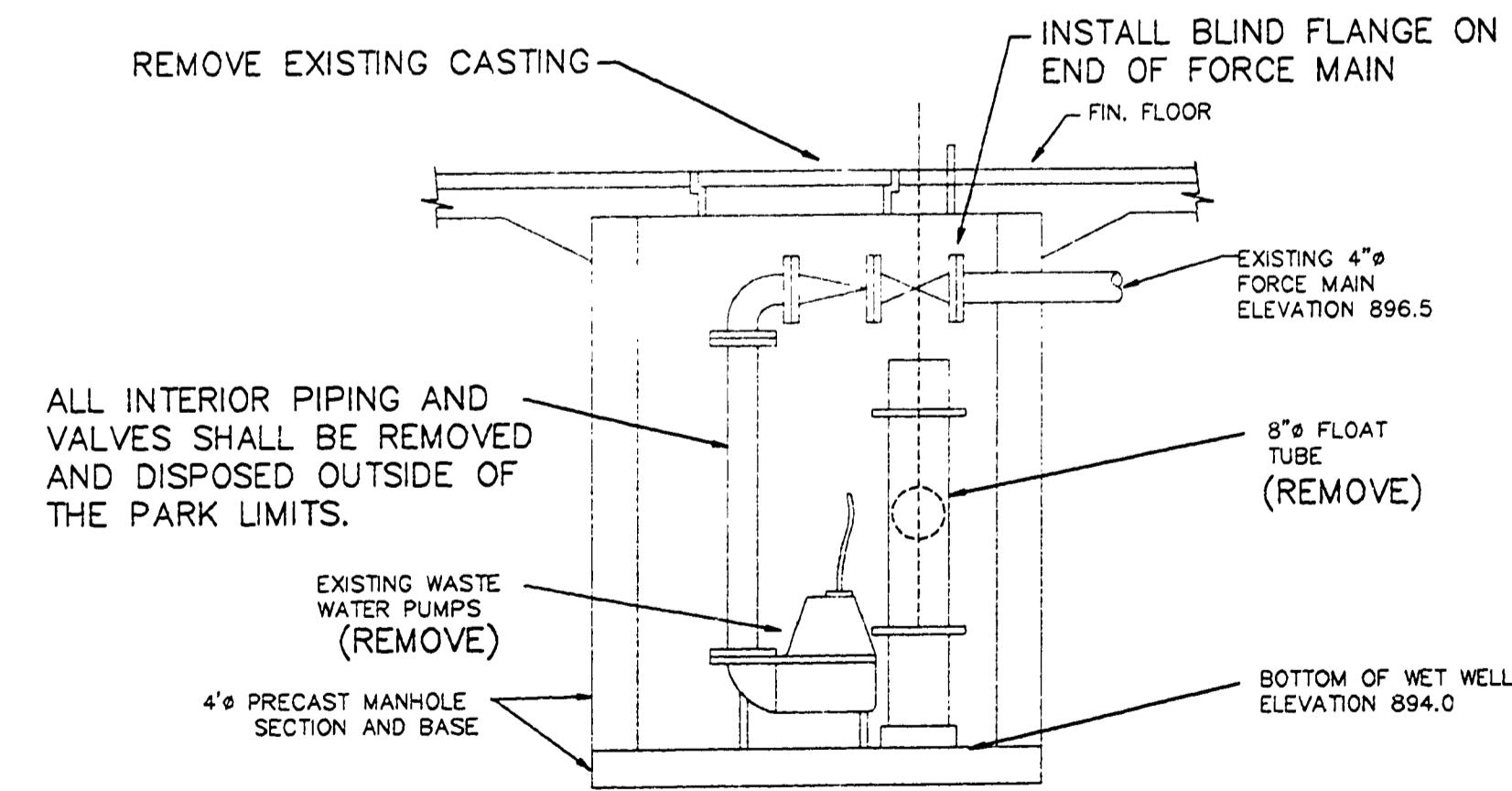


CONNECT 3" DRAINS. INSTALL 6X3 WYES. THIS ROUTE USED.
PLUMBING PLAN - ALTERNATE "A" ROUTE

1. REMOVE AND REPLACE CONCRETE FLOOR IN PIPE ALLEY AS REQUIRED FOR INSTALLATION OF SEWER. CONCRETE TO BE SAWCUT.
2. MINIMUM SLOPE OF SEWER INSIDE BUILDING SHALL BE 0.25"/FOOT.
3. PROVIDE 4' OF COVER ON SEWER OUTSIDE OF BUILDING. MINIMUM SLOPE SHALL BE 1.00%

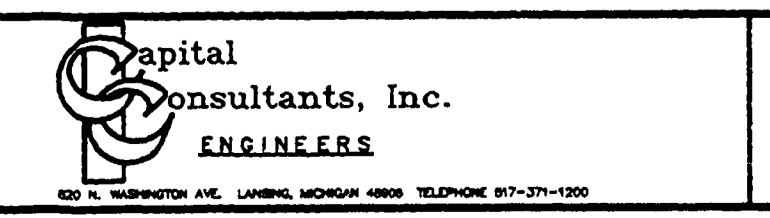


CONNECT EXISTING DRAINS. INSTALL WYES AS REQUIRED.
PLUMBING PLAN - ALTERNATE "B" ROUTE NOT USED



1. UPON REMOVAL OF PIPING AND PUMPS, EXISTING STRUCTURE SHALL BE FILLED WITH GRANULAR MATERIAL COMPACTED IN PLACE.
2. REMOVE EXISTING CASTING. SAWCUT EXISTING CONCRETE FLOOR AS REQUIRED TO REMOVE CASTING.
3. EXISTING FORCE MAIN TO BE BULKHEADED AT STRUCTURE WALL. INSTALL BLIND FLANGE.
4. REMOVE EXISTING PUMP ELECTRICAL CONTROLS FROM PIPING ALLEY.

DRN BY:	
DES'D BY:	LJS
CHK'D BY:	GJF
APP'D BY:	GDA



QUALITY OF LIFE RECREATION BOND
MICHIGAN DEPARTMENT OF NATURAL RESOURCES
PARKS DIVISION - STATE ACCT. NO. 607-75-2450-400

BRIGHTON RECREATION AREA
BISHOP LAKE CAMPGROUND
EXISTING PUMP STATION

SCALE: HORIZ. 1"=30'
VERT. 1"=5'
PROJ. NO.: 91180
SHEET 2 OF 4

L-128